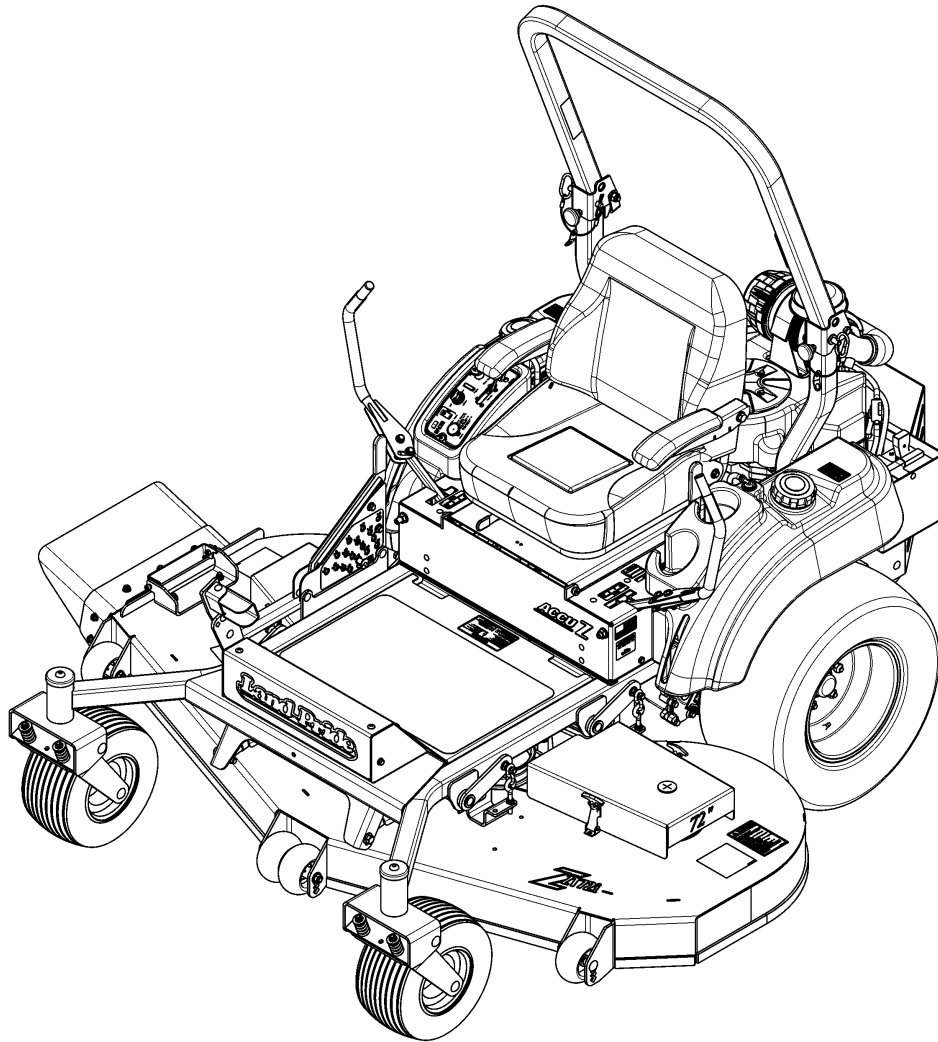


Zero Turn Mowers

ZT60i & ZT72i (S/N 748110+) Accu-Z®



33758

357-552P Parts Manual



Read the Operator's manual entirely. When you see this symbol, the subsequent instructions and warnings are serious - follow without exception. Your life and the lives of others depend on it!

© Copyright 2013 Printed 03/14/14

Cover photo may show optional equipment not supplied with standard unit.





Table of Contents

Section 1: Introduction.....	4
Using This Manual.....	4
Manual Replacement Information.....	4
Manual Revisions.....	4
Touch-up Paint.....	4
Hardware Legend.....	5
Replacement Hardware.....	5
Serial Numbers.....	5
Part Number Service Coding.....	5
Section 2: Frame, Footrest & Seat.....	6
Footrest & Seat Support.....	6
Frame and Bumper.....	8
ROPS Folding W/ Seat Belt.....	10
Seat Components Deluxe (839-320C).....	12
Seat Components Suspension (839-002C).....	14
Section 3: Electrical, Levers & Transmission.....	16
Brake Park.....	16
Control Levers.....	18
Deck Lift.....	20
Electrical Components.....	22
Electrical Wiring Schematic Kawasaki Engine.....	24
Electrical Wiring Schematic Main Harness.....	26
Transmission Components (831-089C & 831-090C).....	28
Transmission to Frame Assembly.....	30
Section 4: Engine, Air Cleaner & Fuel System.....	32
Air Cleaner Kawasaki 27 HP.....	32
Engine Assembly Kawasaki 27 HP.....	34
Fuel System.....	36
Section 5: Wheels.....	38
Drive Wheels.....	38
Front Caster Wheels.....	40
Section 6: Deck.....	42
Deck Assembly.....	42
Deck Pulleys & Drive Belt.....	44
Section 7: Labels.....	46
Label Placement.....	46
Section 8: Accessories.....	48
Light Kit.....	48
Mulch Kit.....	50
Part Number Index.....	52

© Copyright 2013. All rights reserved.

Land Pride provides this publication “as is” without warranty of any kind, either expressed or implied. While every precaution has been taken in the preparation of this manual, Land Pride assumes no responsibility for errors or omissions. Neither is any liability assumed for damages resulting from the use of the information contained herein. Land Pride reserves the right to revise and improve its products as it sees fit. This publication describes the state of this product at the time of its publication, and may not reflect the product in the future. The illustrations in this manual are not intended for safe and proper assembly or disassembly of equipment. The illustrations are intended for ordering parts only.

Land Pride is registered trademark.

All other brands and product names are trademarks or registered trademarks of their respective holders.

Printed in the United States of America.



Alphabetized Table of Contents

A	
Air Cleaner Kawasaki 27 HP.....	32
B	
Brake Park.....	16
C	
Control Levers.....	18
D	
Deck Assembly.....	42
Deck Lift.....	20
Deck Pulleys & Drive Belt.....	44
Drive Wheels.....	38
E	
Electrical Components.....	22
Electrical Wiring Schematic Kawasaki Engine.....	24
Electrical Wiring Schematic Main Harness.....	26
Engine Assembly Kawasaki 27 HP.....	34
F	
Footrest & Seat Support.....	6
Frame and Bumper.....	8
Front Caster Wheels.....	40
Fuel System.....	36
L	
Label Placement.....	46
Light Kit.....	48
M	
Mulch Kit.....	50
R	
ROPS Folding W/ Seat Belt.....	10
S	
Seat Components Deluxe (839-320C).....	12
Seat Components Suspension (839-002C).....	14
T	
Transmission Components (831-089C & 831-090C).....	28
Transmission to Frame Assembly.....	30

General Information

Using This Manual

This manual is divided into sections. The first section contains General Information. The remaining sections divide the machine into segments (i.e. Frames, Drives, Hydraulics, etc.) which illustrate and list all parts. A Parts Number Index is located at the back of the book.

The Land Pride parts in this manual are specially designed for this machine and should be replaced with Land Pride parts only.

The information in this manual is current at time of printing. Some parts may change to assure top performance.

Right-hand and left-hand as used in this manual are determined by facing the direction the machine will travel while in use.

Below is an example of two facing pages from a parts manual. Familiarize yourself with the type of information contained on these pages.

Manual Replacement Information

Replacement manuals are available. Refer to our website at www.landpride.com or e-mail us at lit@landpride.com for additional information. Our website continues to provide the most up-to-date manuals available.

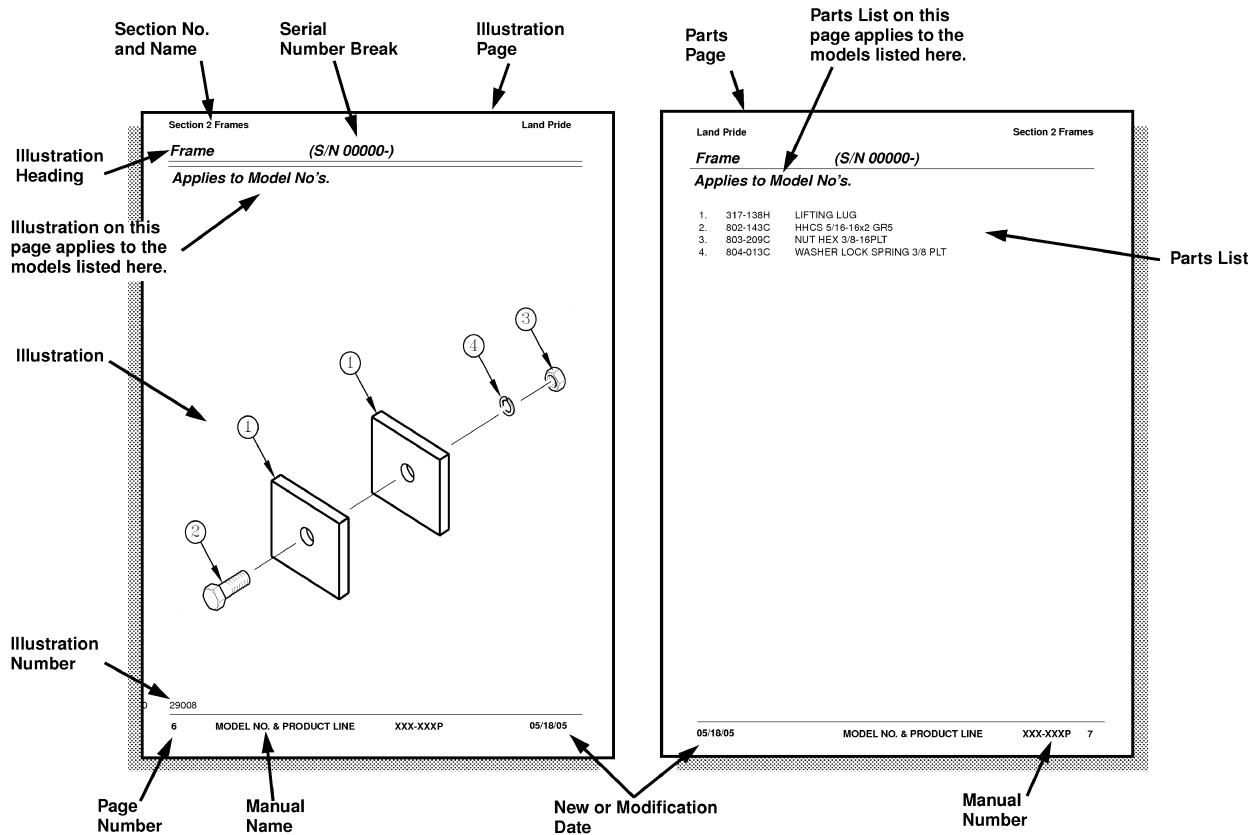
Touch-up Paint

Repaint parts where paint is worn or scratched to prevent rust. Aerosol cans and touch-up bottles with brush applicator are available through your local dealer. Land Pride color descriptions and part numbers are listed below. Also available are quart and gallon size paints. Add QT or GL to end of the Aerosol P/N.

Color	Product*	Aerosol	Touch-Up
Gloss Black	LP	821-032C	821-032CTU
Beige	LP	821-011C	821-011CTU
Green	SLP	821-058C	821-058CTU
Orange	SLP	821-066C	821-066CTU
Red	SLP	821-054C	821-054CTU
Blue	SLP	821-067C	821-067CTU

Notes:

- * LP = All Land Pride Products
- SLP = Select Land Pride Products that are available in optional Green, Orange and Red.



General Information

Hardware Legend

AR	As Required
BLADE	Blade Bolt
C	Cap Screw
CP	Cotter Pin
CPHSSS	Cup Point Hex Socket Set Screw
CPSHSS	Cup Point Square Head Set Screw
CPSQHSS	Cup Point Square Head Set Screw
CRFCHMS3	Cross Recess Flat Countersunk Head Machine Screw
CRPHMS	Cross Recess Pan Head Machine Screw
CRPHTFS	Cross Recess Pan Head Thread Forming
CRRHMS	Cross Recess Round Head Machine Screw
CRTHMS	Cross Recess Truss Head Machine Screw
CSNB	Countersunk Square Neck Bolt
FHMS	Flat Head Machine Screw
FTC	Full Thread Cap Screw
H	Hex Nut
HCLN	Hex Center Lock Nut
HFLCS	Hex Flange Lock Cap Screw
HFS	Hex Flange Screw
HFSLN	Hex Flange Serrated Lock Nut
HFSS	Hex Flange Serrated Screw
HHCS	Hex Head Cap Screw or Metric Bolt
HSBHCS	Hex Socket Button Head Cap Screw
HSFCHCS	Hex Socket Flat Countersunk Head Cap Screw
HSHCS	Hex Socket Head Cap Screw
HSSS	Hex Socket Head Screw
HTLN	Hex Top Lock Nut
HWHCS	Hex Washer Head Cap Screw

HWHMS	Hex Washer Head Machine Screw
HXBHCS	Hex Socket Button Head Cap Screw
J	Hex Jam Nut
JIC	37 Degree Tapered Thread
L	Helical Spring Lock Washer
LUG	Lug Bolt
NFC	National Fine Cap Screw
NPSM	National Pipe Straight Mechanical
NPTF	National Pipe Taper Fuel
P	Wide Plain Washer
PHMS	Pan Head Machine Screw
PLOW	Plow Bolt
RHMS	Round Head Machine Screw
RHSNB	Round Head Square Neck Bolt
SCREW LEVELING	Leveling Screw
SCREW THUMB	Thumb Screw
SCREW WELD	Weld Screw
SFCHMS	Slotted Flat Countersunk Head Machine Screw
SFHMS	Slotted Fillister Head Machine Screw
SP	Special
SP SCREW	Special Screw
SQHSS	Square Head Set Screw
SRHMS	Slotted Round Head Machine Screw
SSS	Socket Set Screw
STCS	Self Tapping Cap Screw
STHMS	Slotted Truss Head Machine Screw
WHEEL	Wheel Studs and Hub Long Bolts
WING	Wing Bolt

Replacement Hardware

The **Hardware Legend** above lists hardware abbreviations used in the parts list. All bolts and nuts are Grade 5 unless otherwise noted. The use of improper grades of hardware can result in personal injury, damage to equipment, or loss of property.

Colored Replacement Parts

Land Pride offers replacement parts in factory standard colors and also on select models in Green, Orange, Red and Blue. Because of the variety of colors available, special attention must be given to the part number to prevent ordering the wrong replacement part.

A suffix number corresponding to one of the colors below must be added at the end of Land Pride's part number when ordering a replacement part with that color.

81 **Green** **83** **Red**
82 **Orange** **84** **Blue**

For example, if you are ordering a replacement part with part number 555-555C and the part you need is red, then add the suffix 83 to the end of the number to make the part number read 555-555C83. Parts ordered without a suffix number will be supplied in factory standard colors.

Black Replacement Parts

Some parts are factory standard black and some must be special ordered black. If your part is special ordered black, a second part number with the additional suffix number 85 on the end will be available. In this situation you must order that part with the suffix number for it to be black. Parts that are factory standard black will not have the suffix number.

Part Number Service Coding

Within the parts list some part numbers are coded for revisions and interchangeability. See notations in revision column.

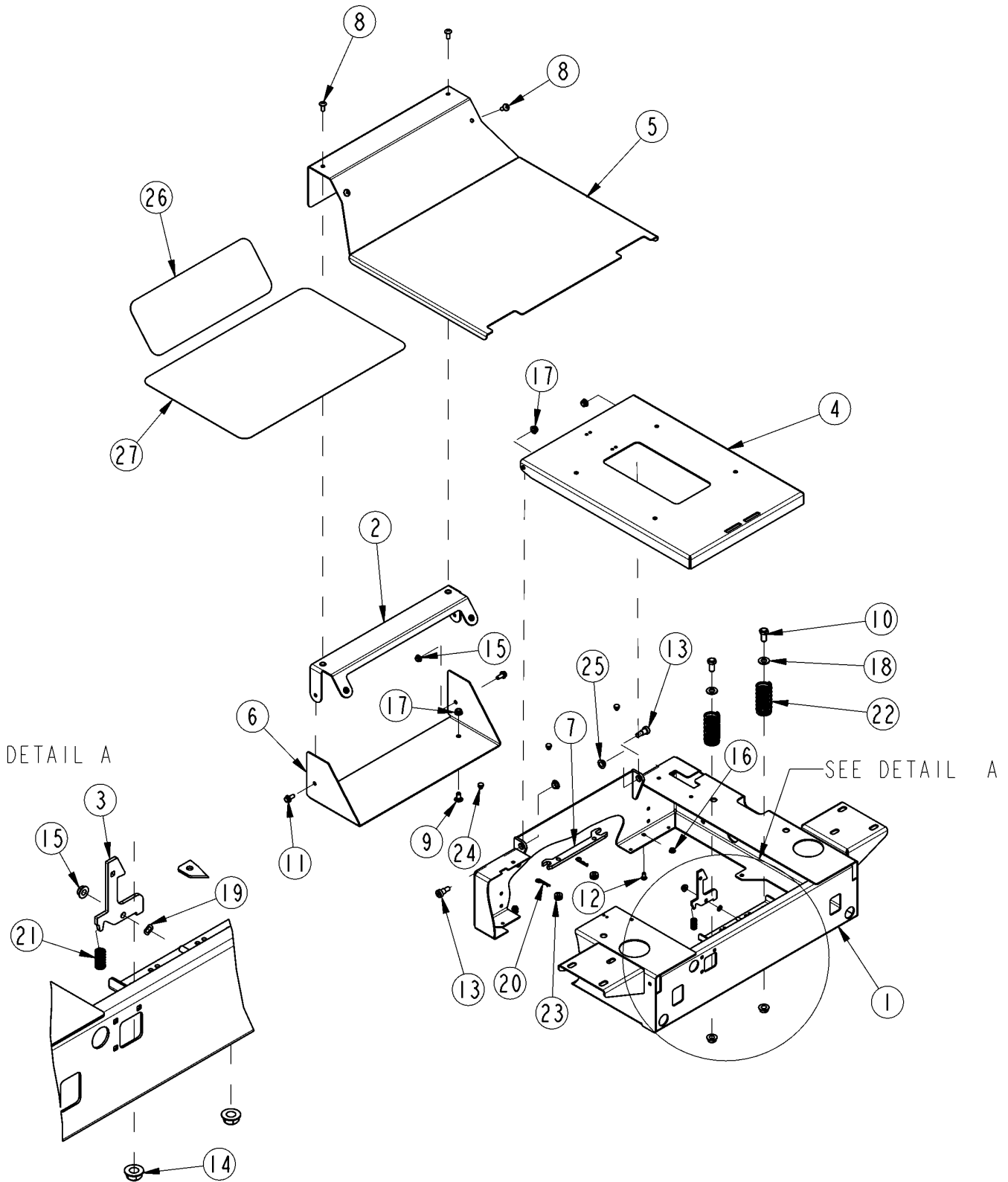
Serial Numbers

Always use the serial and model number when ordering parts. Refer to the Operator's Manual for serial number plate location.

- | | |
|----------------------|--|
| (S/N 20001+) | Includes serial numbers 20001 and above (to the latest number) |
| (S/N 10001 to 20000) | Includes serial numbers between and including 10001 and 20000 |
| (S/N 10000-) | Includes serial numbers 10000 and below (to the earliest number) |

Footrest & Seat Support

Applies to ACCU-Z ZT60i (S/N 748110+), ACCU-Z ZT72i (S/N 748110+)



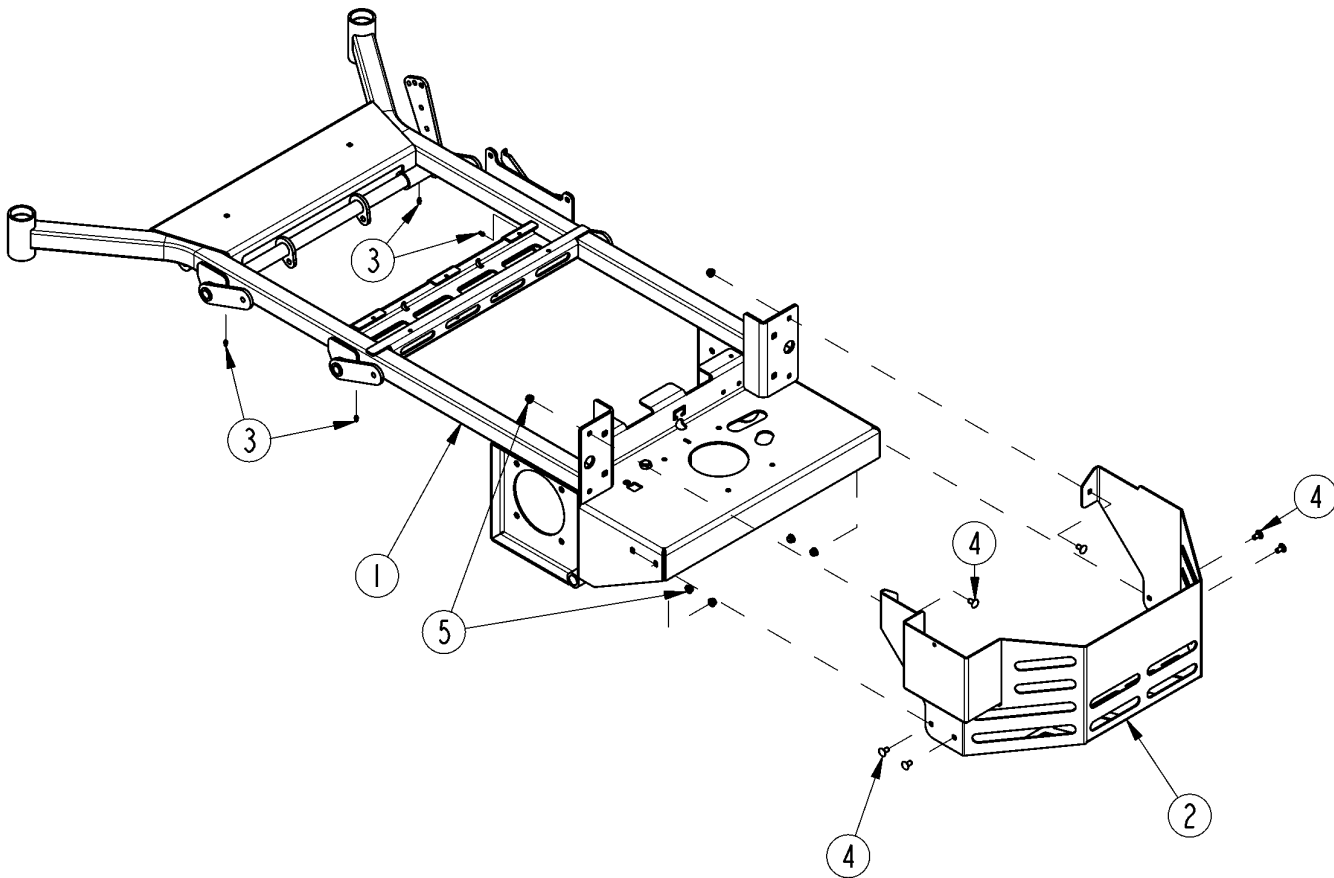
33598

Footrest & Seat Support**Applies to ACCU-Z ZT60i (S/N 748110+), ACCU-Z ZT72i (S/N 748110+)**

Ref	Part No.	Part Description	Comments	Revision
	dwg33598	Drawing Image Number		
1.	357-520H	PEDESTAL		
2.	357-534V	HINGE, FLOOR PAN		
3.	357-852D	SEAT LATCH ARM		
4.	358-208D	SEAT PAN		
5.	358-231D	FLOOR PAN		
6.	358-232D	FOOT REST		
7.	358-242D	WRENCH		
8.	801-202C	TPHMS Y 5/16-18X3/4 ZNYCR		
9.	802-149C	RHSNB 3/8-16X3/4 GR5		
10.	802-258C	HHCS 1/2-13X1 GR5		
11.	802-387C	HFS 5/16-18X3/4 GR5		
12.	802-633C	RHSNB 1/4-20X5/8 PLT		
13.	802-747C	SHLDR BLT 1/2DX1/2L 3/8-16 SS		
14.	803-169C	NUT HEX FLG LOCK 1/2-13 PLT		
15.	803-177C	NUT HEX FLG TP LK 5/16-18ZNYCR		
16.	803-194C	NUT HEX WHIZ 1/4-20 PLT		
17.	803-209C	NUT FLANGE LOCK 3/8-16 PLT		
18.	804-016C	WASHER FLAT 1/2 SAE PLT		
19.	804-056C	WASHER WAVE SPRING 5/16		
20.	805-010C	PIN HAIR COTTER .094		
21.	807-096C	SPRING COMP 1/2 OD X 1 LG		
22.	807-288C	SPRG 1.55ODX1.65WX3.5L SEATPAN		
23.	816-433C	RUBBER GROMMET .75DX.31IDX.37T		
24.	816-491C	TAILGATE BUMPER		
25.	817-560C	BSHG FLG .50IDX.62ODX.31L		
26.	840-262C	TREAD, FLOOR PANEL		
27.	840-334C	TREAD, FLOOR PANEL		

Frame and Bumper

Applies to ACCU-Z ZT60i (S/N 748110+), ACCU-Z ZT72i (S/N 748110+)



33599

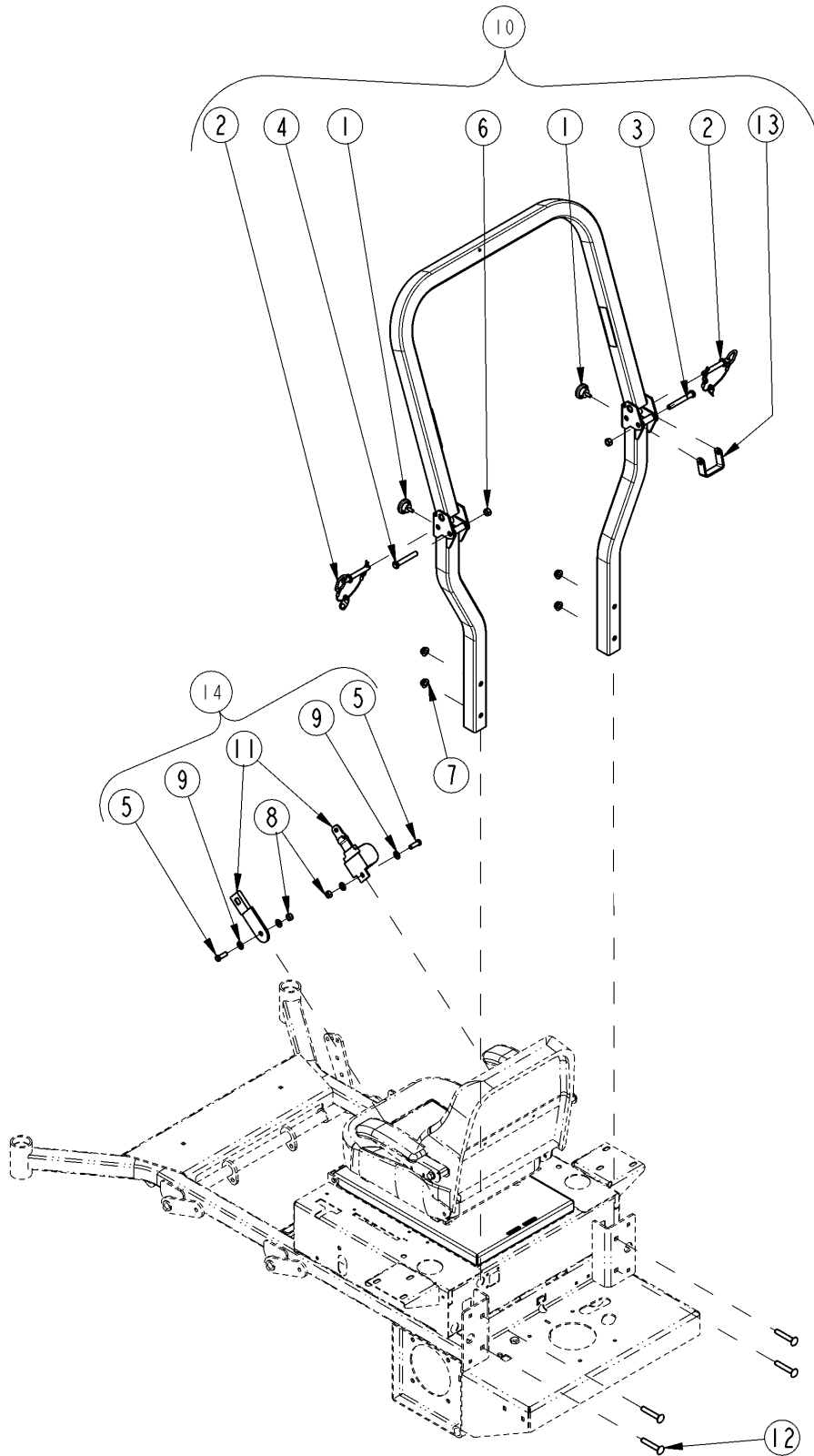
Frame and Bumper

Applies to ACCU-Z ZT60i (S/N 748110+), ACCU-Z ZT72i (S/N 748110+)

Ref	Part No.	Part Description	Comments	Revision
	dwg33599	Drawing Image Number		
1.	357-516H	FRAME WELDMENT		
2.	357-533H	BUMPER, REAR		
3.	800-001C	GREASE ZERK STRAIGHT 1/4-28		
4.	802-149C	RHSNB 3/8-16X3/4 GR5		
5.	803-209C	NUT FLANGE LOCK 3/8-16 PLT		

ROPS Folding W/ Seat Belt

Applies to ACCU-Z ZT60i (S/N 748110+), ACCU-Z ZT72i (S/N 748110+)



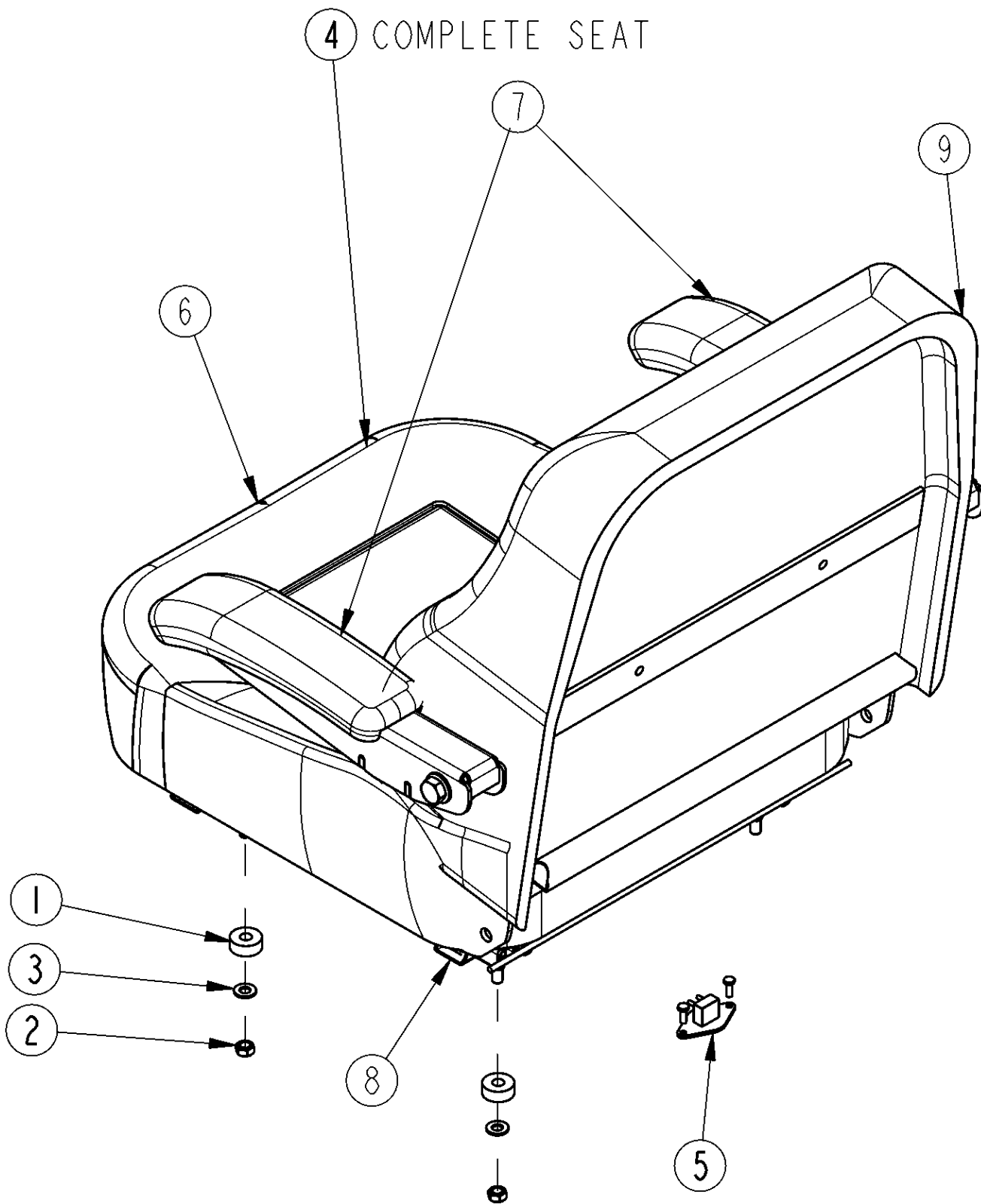
33914

ROPS Folding W/ Seat Belt**Applies to ACCU-Z ZT60i (S/N 748110+), ACCU-Z ZT72i (S/N 748110+)**

Ref	Part No.	Part Description	Comments	Revision
	dwg33914	Drawing Image Number		
	357-587A	ASSY, ZTI FOLDING ROPS ISO *		
1.	230024700	LOCKING KNOB		
2.	230321672	PIN, ROPS HINGE		
3.	802-042C	HHCS 1/2-13X3 3/4 GR5		
4.	802-099C	HHCS 1/2-13X3 1/4 GR5		
5.	802-227C	HHCS 7/16-20X1 1/4 GR8		
6.	803-019C	NUT LOCK 1/2-13 PLT		
7.	803-169C	NUT HEX FLG LOCK 1/2-13 PLT		
8.	803-333C	NUT HEX NYLOCK 7/16-20 PLT		
9.	804-041C	WASHER FLAT 7/16 SAE PLT		
10.	823-407C	ASSY, ZTI FOLDING ROPS ISO		
11.	840-272C	SEAT BELT RETRACTABLE		
12.	842-016C	RHSNB 1/2-13X3 GR5 PLT		
13.	711941272	ROPS STOP 2.43		
14.	357-420A	KIT, Z-MWRS RTRCTABLE SEAT BLT		

Seat Components Deluxe (839-320C)

Applies to ACCU-Z ZT60i (S/N 748110+), ACCU-Z ZT72i (S/N 748110+)



33785

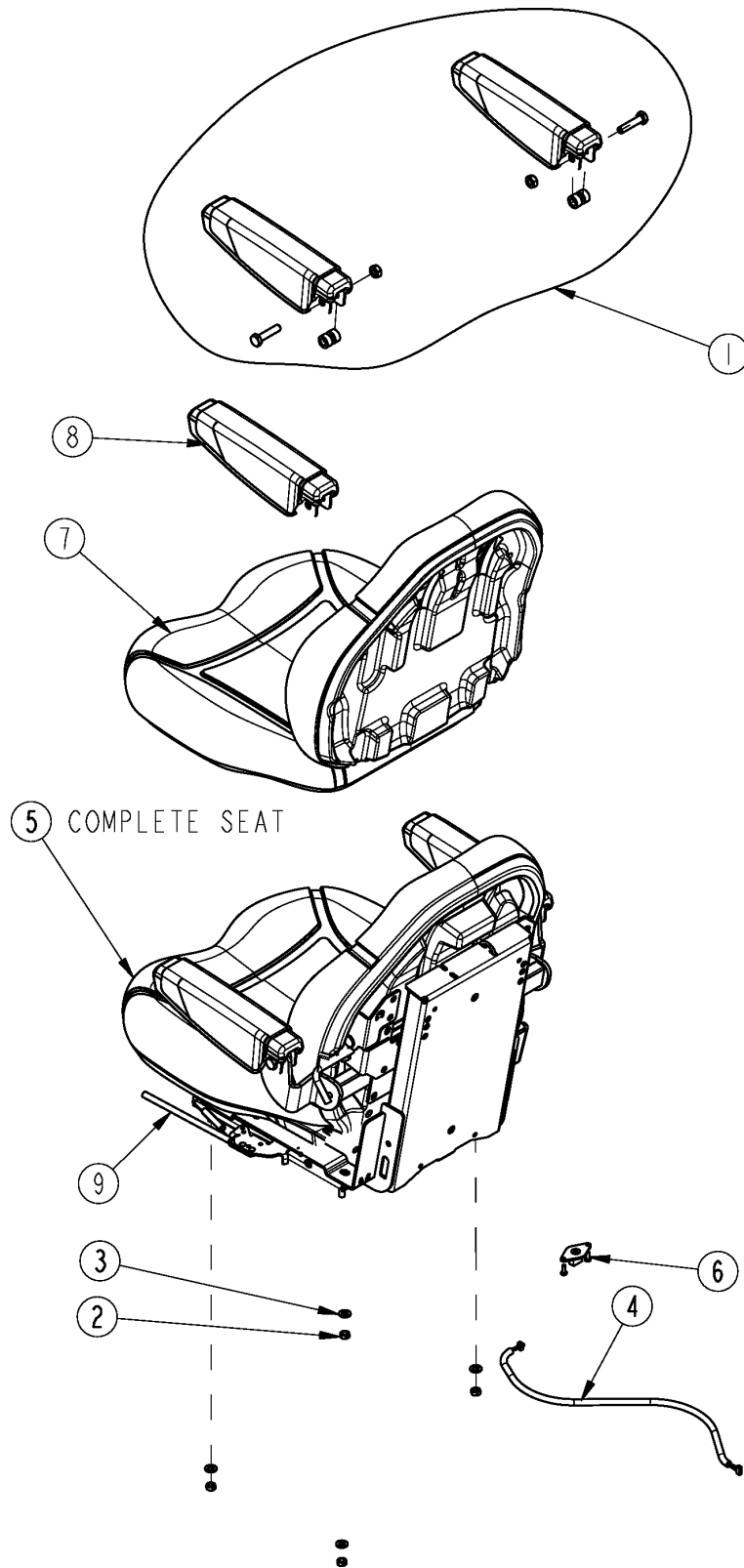
Seat Components Deluxe (839-320C)

Applies to ACCU-Z ZT60i (S/N 748110+), ACCU-Z ZT72i (S/N 748110+)

Ref	Part No.	Part Description	Comments	Revision
	dwg33785	Drawing Image Number		
1.	356-074D	SPCR DELUXE SEAT MNT RAZOR PRO		
2.	803-011C	NUT LOCK 5/16-18 PLT		
3.	804-036C	WASHER FLAT 5/16 SAE PLT		
4.	839-320C	SEAT BLACK DELUXE CUSHION		
5.	839-970C	KY SEAT SAFETY SWITCH		
6.	839-416C	SKING BOTTOM SEAT COVER		
7.	839-385C	SKING ARM REST KIT		
8.	839-971C	KY SEAT TRACK (PAIR) 839-320C		
9.	839-411C	SKING BACK SEAT COVER		

Seat Components Suspension (839-002C)

Applies to ACCU-Z ZT60i (S/N 748110+), ACCU-Z ZT72i (S/N 748110+)



33786

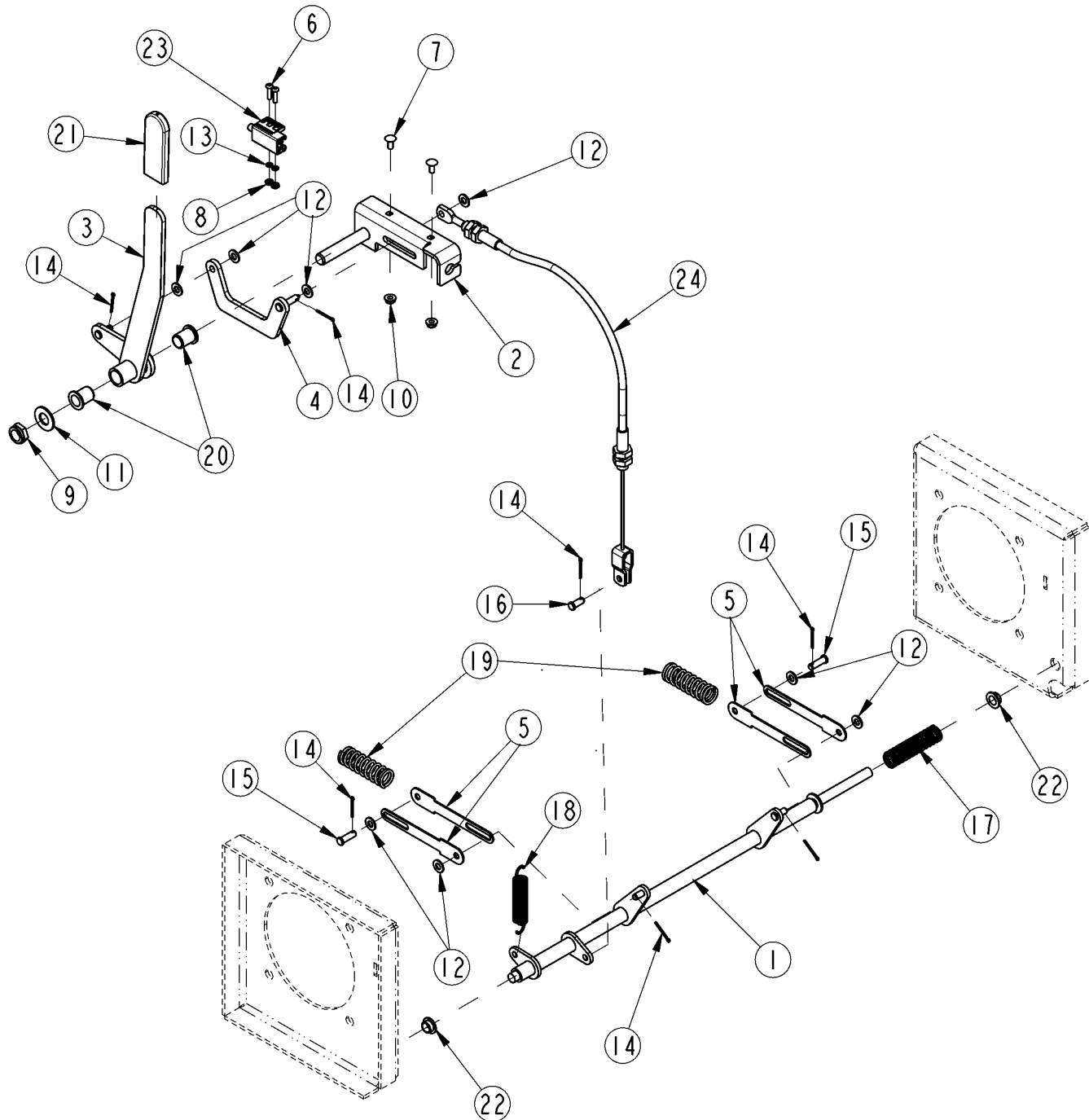
Seat Components Suspension (839-002C)

Applies to ACCU-Z ZT60i (S/N 748110+), ACCU-Z ZT72i (S/N 748110+)

Ref	Part No.	Part Description	Comments	Revision
	dwg33786	Drawing Image Number		
1.	839-417C	MILSCO ARMREST KIT		
2.	803-011C	NUT LOCK 5/16-18 PLT		
3.	804-036C	WASHER FLAT 5/16 SAE PLT		
4.	833-445C	HARNESS ASSY,SEAT SWITCH		
5.	839-002C	SEAT SUSP.BLK LOW PROFILE		
6.	839-148C	OPERATOR PRESENCE SWITCH KIT		
7.	839-149C	CUSHION/PAN FOR CR-100 KIT		
8.	839-418C	ARM REST, INDIVIDUAL 839-417C		
9.	839-145C	ADJUSTER, XR-210 & CR-100 KIT		

Brake Park

Applies to ACCU-Z ZT60i (S/N 748110+), ACCU-Z ZT72i (S/N 748110+)



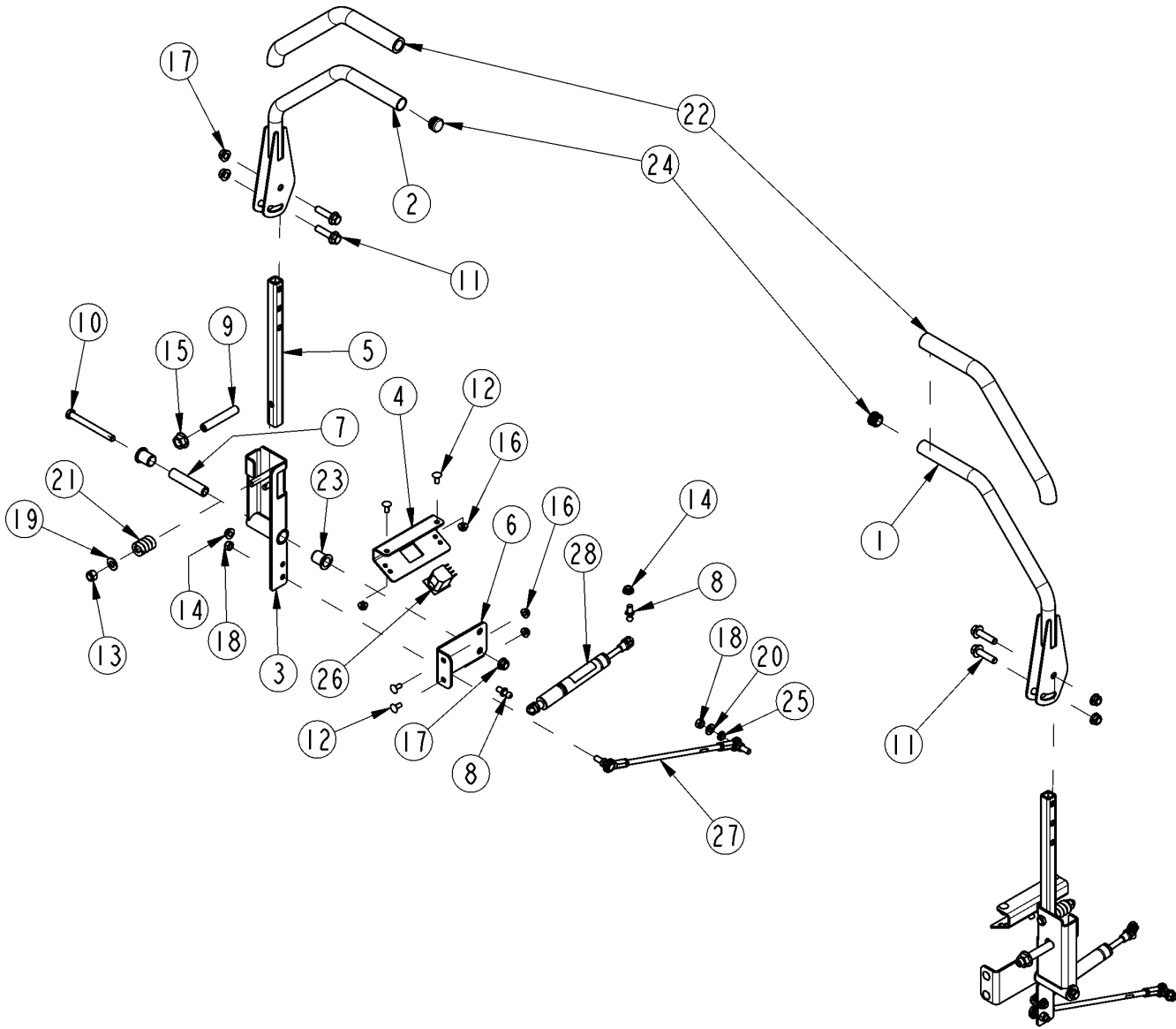
33787

Brake Park**Applies to ACCU-Z ZT60i (S/N 748110+), ACCU-Z ZT72i (S/N 748110+)**

Ref	Part No.	Part Description	Comments	Revision
	dwg33787	Drawing Image Number		
1.	357-521H	PIVOT ROD, PARK BRAKE		
2.	357-522H	MOUNT, PARK BRAKE		
3.	357-523H	HANDLE, PARK BRAKE		
4.	357-525H	LINK, PARK BRAKE		
5.	358-215D	PARK BRAKE LINK		
6.	801-225C	HSBHCS #10-24 X 3/4		
7.	802-633C	RHSNB 1/4-20X5/8 PLT		
8.	803-001C	NUT HEX 10-24 PLT		
9.	803-094C	NUT 5/8-11 NYLON COLLAR THIN		
10.	803-194C	NUT HEX WHIZ 1/4-20 PLT		
11.	804-021C	WASHER FLAT 5/8 SAE PLT		
12.	804-036C	WASHER FLAT 5/16 SAE PLT		
13.	804-054C	WASHER LOCK #10		
14.	805-063C	PIN COTTER 3/32 X 1 LONG		
15.	805-400C	PIN CLEVIS 5/16 X 3/4 PLT		
16.	805-444C	PIN CLEVIS 5/16 X 1 1/2UNIVRSL		
17.	807-303C	SPRING COMP .875ODX4.0LX.095W		
18.	807-309C	SPRING EXT, .750D X .095 X 4.0		
19.	807-320C	SPRING COMP 1.0ODX3.19LX.125W		
20.	817-028C	DOUBLE DISK ARM PIVOT BUSHINGS		
21.	817-246C	GRIP HANDLE .84 ID X 4 LG		
22.	817-560C	BSHG FLG .50IDX.62ODX.31L		
23.	833-341C	SWITCH, 2-POLE 12V 5A PLUNGER		
24.	891-253C	CABLE, PARK BRAKE		

Control Levers

Applies to ACCU-Z ZT60i (S/N 748110+), ACCU-Z ZT72i (S/N 748110+)



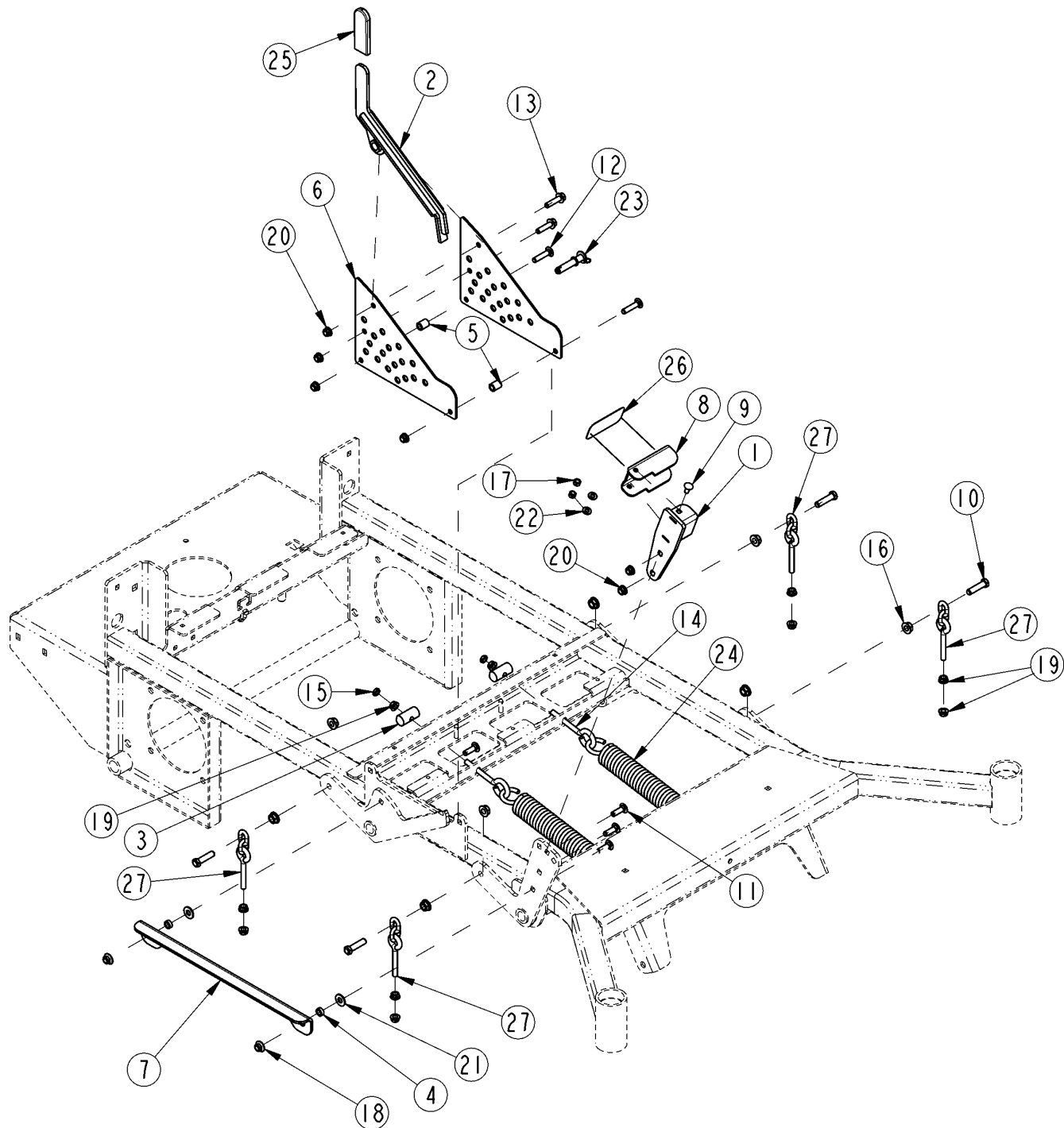
33788

Control Levers**Applies to ACCU-Z ZT60i (S/N 748110+), ACCU-Z ZT72i (S/N 748110+)**

Ref	Part No.	Part Description	Comments	Revision
	dwg33788	Drawing Image Number		
1.	357-002H	LEVER AY, DRIVE CONTROL LH		
2.	357-042H	LEVER AY, DRIVE CONTROL RH		
3.	357-514H	STEERING LEVER		
4.	357-851D	MOUNT, NEUTRAL SWITCH		
5.	358-086D	TUBE, DRIVE CONTROL STUB		
6.	358-194D	BRACKET, STEERING PIVOT		
7.	358-210D	PIVOT TUBE		
8.	800-121C	BALL STUD 10MM X 5/16-18 UNC		
9.	801-237C	SCREW SET SCKT HD 1/2-13X3		
10.	802-026C	HHCS 3/8-16X3 3/4 GR5		
11.	802-569C	HFSS 3/8-16X1 1/2 GR5		
12.	802-633C	RHSNB 1/4-20X5/8 PLT		
13.	803-078C	NUT LOCK 3/8-16 NYLON INSERT		
14.	803-177C	NUT HEX FLG TP LK 5/16-18ZNYCR		
15.	803-193C	NUT HEX FLANGE 1/2-13 GR G PLT		
16.	803-194C	NUT HEX WHIZ 1/4-20 PLT		
17.	803-209C	NUT FLANGE LOCK 3/8-16 PLT		
18.	803-270C	NUT HEX NYLOCK 5/16-24		
19.	804-012C	WASHER FLAT 3/8 SAE PLT		
20.	804-036C	WASHER FLAT 5/16 SAE PLT		
21.	807-280C	SPRING COMP .905OD .24W 1.22L		
22.	816-461C	GRIP, DRIVE CONTROL LEVER		
23.	817-028C	DOUBLE DISK ARM PIVOT BUSHINGS		
24.	817-618C	CAPLUG, CCF-7/8-14-20 BLACK		
25.	817-755C	BSHG FLG .31IDX.44ODX.19L		
26.	833-503C	SWITCH, 2 POLE 12 V PLUNGER		
27.	890-070C	ROD AY, LH PUMP ADJUSTER		
28.	891-384C	DAMPER, DRIVE CONTROL		

Deck Lift

Applies to ACCU-Z ZT60i (S/N 748110+), ACCU-Z ZT72i (S/N 748110+)



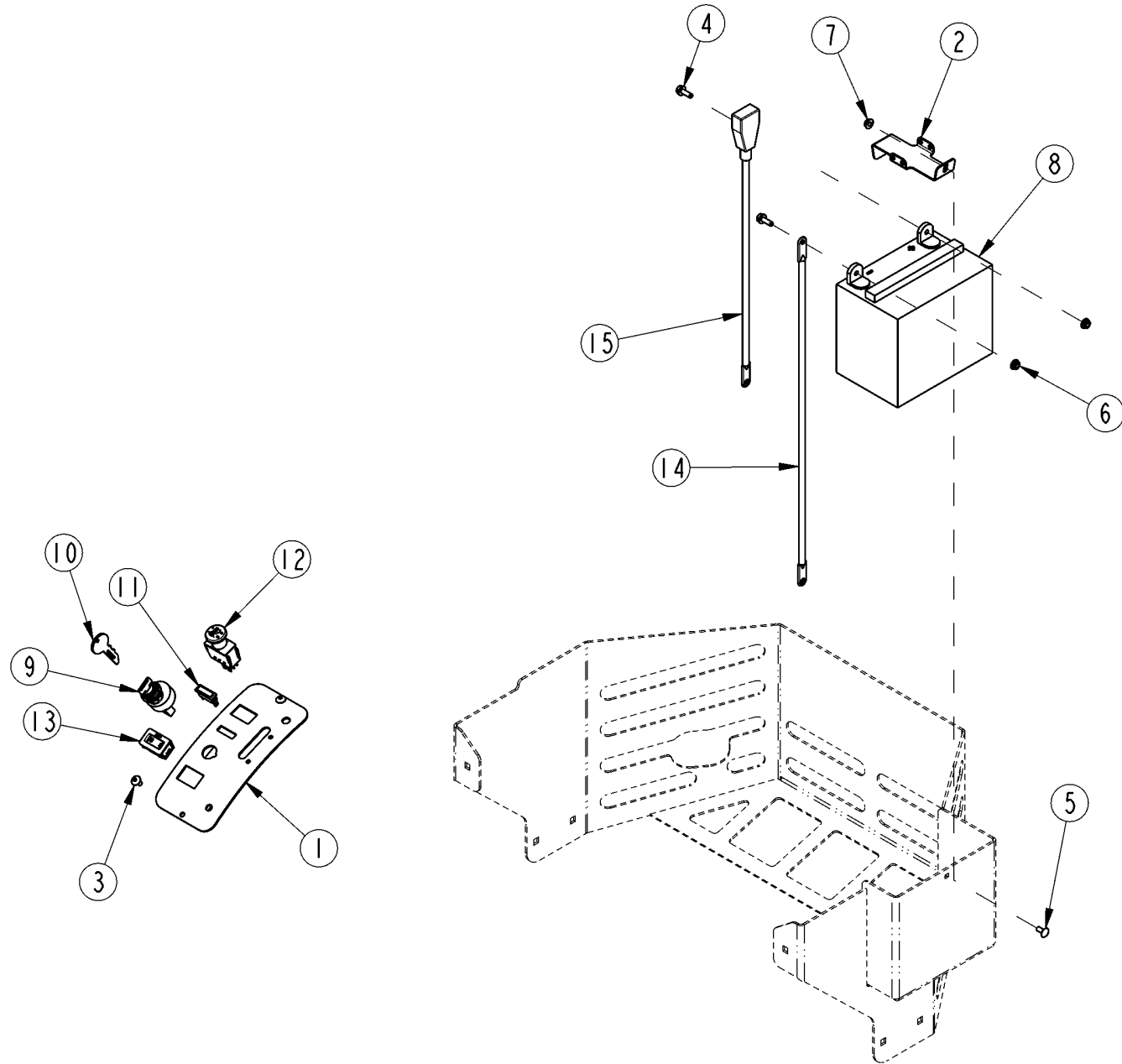
33789

Deck Lift**Applies to ACCU-Z ZT60i (S/N 748110+), ACCU-Z ZT72i (S/N 748110+)**

Ref	Part No.	Part Description	Comments	Revision
	dwg33789	Drawing Image Number		
1.	357-529H	PEDAL, DECK LIFT		
2.	357-532H	TRANSPORT LOCK		
3.	357-781D	BOLT ROCKER		
4.	358-018D	SPACER, .385ID X 5/8OD X 1/4L		
5.	358-022D	SPACER, .385ID X 5/8OD X .78L		
6.	358-225D	PLATE, DECK HEIGHT STOP		
7.	358-226D	PIVOT LINK, DECK LIFT		
8.	358-230D	PEDAL, DECK LIFT		
9.	802-092C	RHSNB 5/16-18X3/4 GR5		
10.	802-113C	HHCS 7/16-14X1 3/4 GR5		
11.	802-155C	RHSNB 3/8-16X1 1/4 GR5		
12.	802-252C	RHSNB 3/8-16X1 3/4 GR5		
13.	802-569C	HFSS 3/8-16X1 1/2 GR5		
14.	802-674C	CLOSED EYE BOLT 3/8-16X4 1/2		
15.	803-012C	NUT HEX JAM 3/8-16 PLT		
16.	803-052C	NUT HEX WHIZ 7/16-14 PLT		
17.	803-084C	NUT HEX NYLOCK 5/16-18 PLT		
18.	803-086C	NUT MAC-LOK FLG 3/8-16 GR F		
19.	803-198C	NUT HEX WHIZ 3/8-16 PLT		
20.	803-209C	NUT FLANGE LOCK 3/8-16 PLT		
21.	804-011C	WASHER FLAT 3/8 USS PLT		
22.	804-036C	WASHER FLAT 5/16 SAE PLT		
23.	805-438C	PIN, 1/2X1 1/2 USABL PUSH DTENT		
24.	807-308C	SPRING EXT 1.875D X .312 X11.5		
25.	817-246C	GRIP HANDLE .84 ID X 4 LG		
26.	840-333C	TREAD, DECK LIFT PEDAL		
27.	891-254C	CHAIN W/ EYELET BOLT		

Electrical Components

Applies to ACCU-Z ZT60i (S/N 748110+), ACCU-Z ZT72i (S/N 748110+)



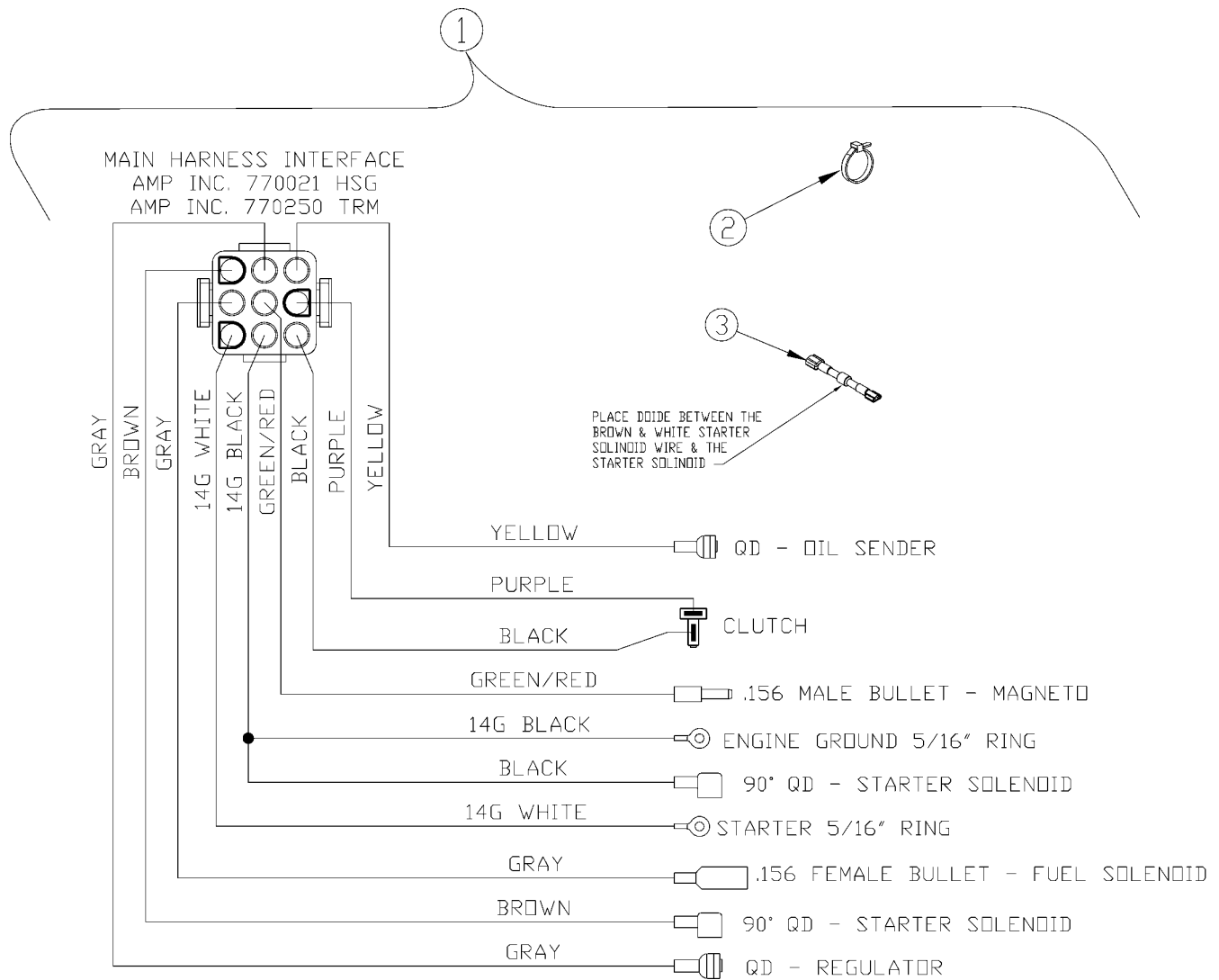
33790

Electrical Components**Applies to ACCU-Z ZT60i (S/N 748110+), ACCU-Z ZT72i (S/N 748110+)**

Ref	Part No.	Part Description	Comments	Revision
	dwg33790	Drawing Image Number		
1.	357-112D	PANEL, CONTROL		
2.	358-046D	BATTERY HOLD-DOWN		
3.	801-198C	TTHMS 1/4-20X1/2 ZNYCR		
4.	802-257C	HFSS 1/4-20X3/4 GR5		
5.	802-633C	RHSNB 1/4-20X5/8 PLT		
6.	803-194C	NUT HEX WHIZ 1/4-20 PLT		
7.	803-293C	NUT HEX FLG TL 1/4-20 ZNYCR		
8.	N/A	BATTERY	UL1-HD (2454 CCA) or UL1-X (300 CCA) B.C.I. Group Size U1/U1R Buy Locally	
9.	833-336C	IGNITION SWITCH W/2 KEYS(6PIN)		
10.	833-342C	KEY W/SHIELD (RP FOR 833-336C)		
11.	833-350C	LIGHT, 14V INDICATOR		
12.	833-351C	BLADE SWITCH		
13.	833-352C	HOUR METER		
14.	833-457C	CABLE,4GAX24X.25X.38 BLK BATT		
15.	833-565C	BATTERY CABLE 6GA RED 18.0"		

Electrical Wiring Schematic Kawasaki Engine

Applies to ACCU-Z ZT60i (S/N 748110+), ACCU-Z ZT72i (S/N 748110+)



27824

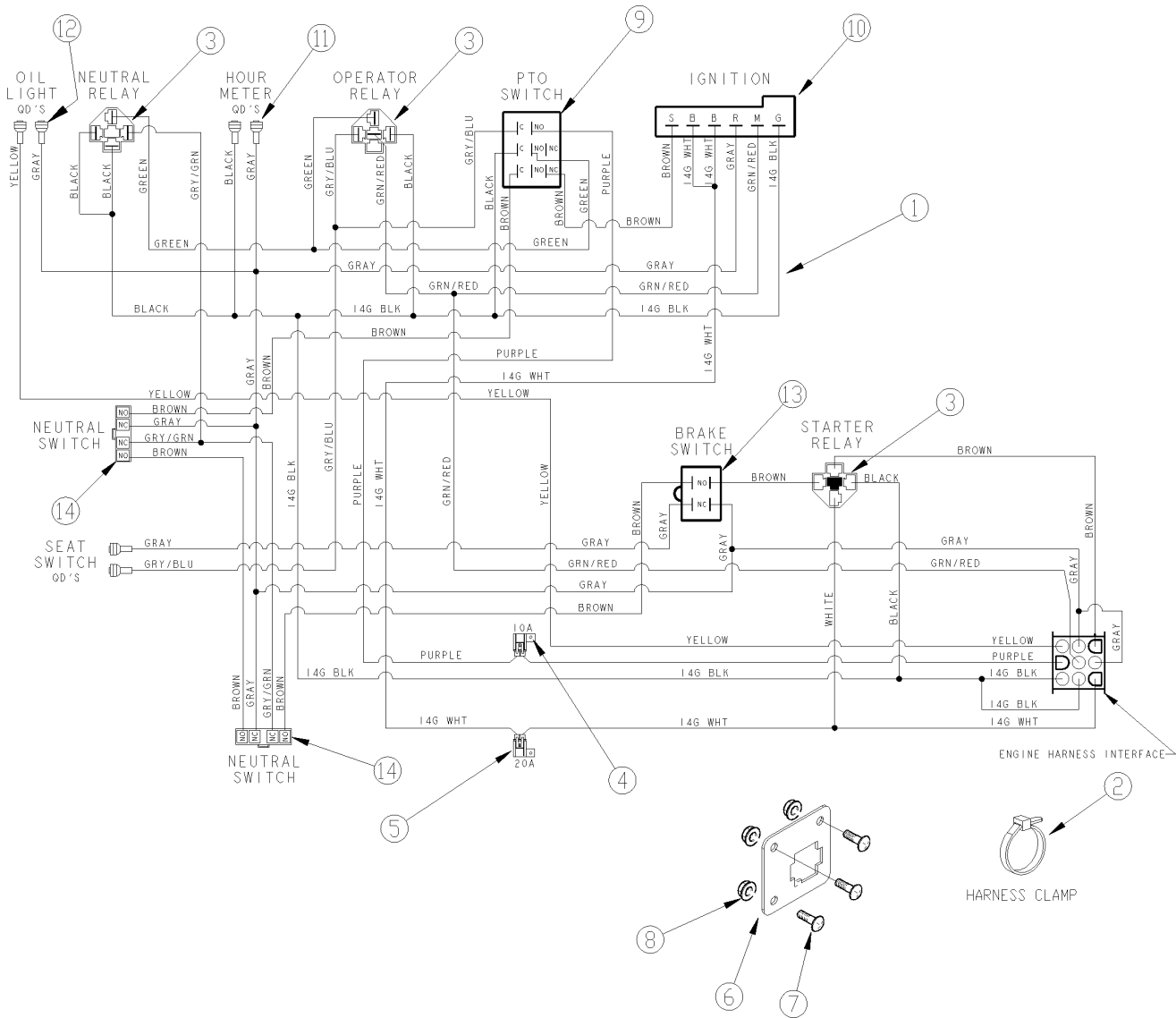
Electrical Wiring Schematic Kawasaki Engine

Applies to ACCU-Z ZT60i (S/N 748110+), ACCU-Z ZT72i (S/N 748110+)

Ref	Part No.	Part Description	Comments	Revision
	dwg27824	Drawing Image Number		
1.	833-506C	HARNESS ASY, KAW RAZOR ENG		
2.	800-303C	CABLE TIE 2 DIA MIN - BLK		
3.	833-465C	DIODE ASSY, STARTER		

Electrical Wiring Schematic Main Harness

Applies to ACCU-Z ZT60i (S/N 748110+), ACCU-Z ZT72i (S/N 748110+)



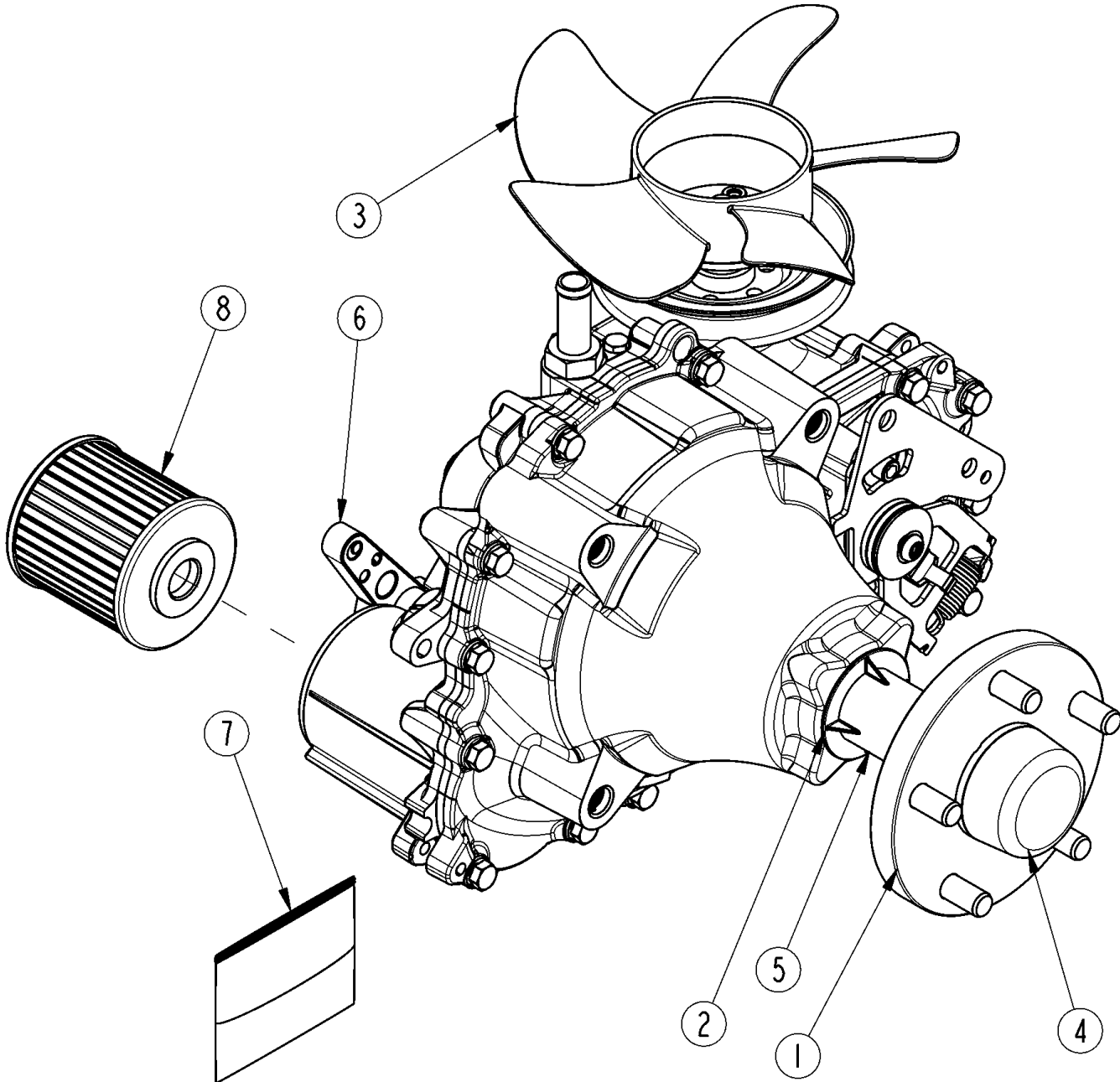
Electrical Wiring Schematic Main Harness

Applies to ACCU-Z ZT60i (S/N 748110+), ACCU-Z ZT72i (S/N 748110+)

Ref	Part No.	Part Description	Comments	Revision
	dwg33800	Drawing Image Number		
1.	833-558C	HARNESS ASSY, MAIN		
2.	800-303C	CABLE TIE 2 DIA MIN - BLK		
3.	0-332-209-150	RELAY BOSCH		
4.	839-287C	10 AMP FUSE (5 PACK)		
5.	839-288C	20 AMP FUSE (5 PACK)		
6.	357-855D	PLATE, HARNESS MOUNT		
7.	802-633C	RHSNB 1/4-20X5/8 PLT		
8.	803-194C	NUT HEX WHIZ 1/4-20 PLT		
9.	833-351C	BLADE SWITCH		
10.	833-336C	IGNITION SWITCH W/2 KEYS(6PIN)		
11.	833-352C	HOUR METER		
12.	833-350C	LIGHT, 14V INDICATOR		
13.	833-341C	SWITCH, 2-POLE 12V 5A PLUNGER		
14.	833-503C	SWITCH, 2 POLE 12 V PLUNGER		

Transmission Components (831-089C & 831-090C)

Applies to ACCU-Z ZT60i (S/N 748110+), ACCU-Z ZT72i (S/N 748110+)



33792

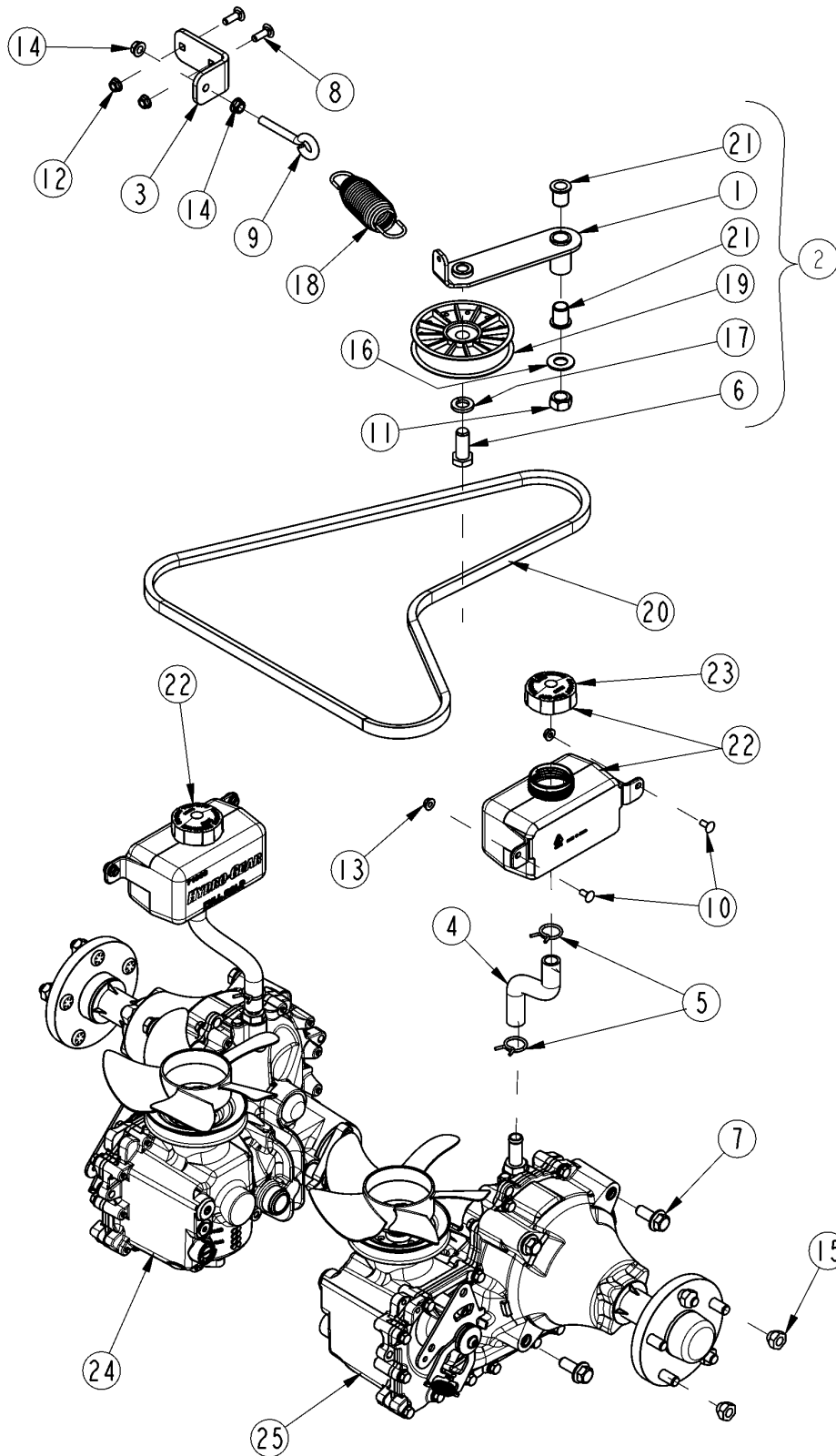
Transmission Components (831-089C & 831-090C)

Applies to ACCU-Z ZT60i (S/N 748110+), ACCU-Z ZT72i (S/N 748110+)

Ref	Part No.	Part Description	Comments	Revision
	dwg33792	Drawing Image Number		
	831-089C	TRANSAXLE, RH		
	831-090C	TRANSAXLE, LH		
		*		
1.	72039	HG HUB KIT		
2.	53008	HG LIP SEAL		
3.	71906	HG FAN & PULLEY KIT		
4.	53724	HG AXLE CAP		
5.	53367	HG AXLE TUBE		
6.	53018	HG BRAKE ARM		
7.	71945	HG SEAL KIT 831-089C/090C		
8.	71943	HG OIL FILTER 831-089C/090C		

Transmission to Frame Assembly

Applies to ACCU-Z ZT60i (S/N 748110+), ACCU-Z ZT72i (S/N 748110+)



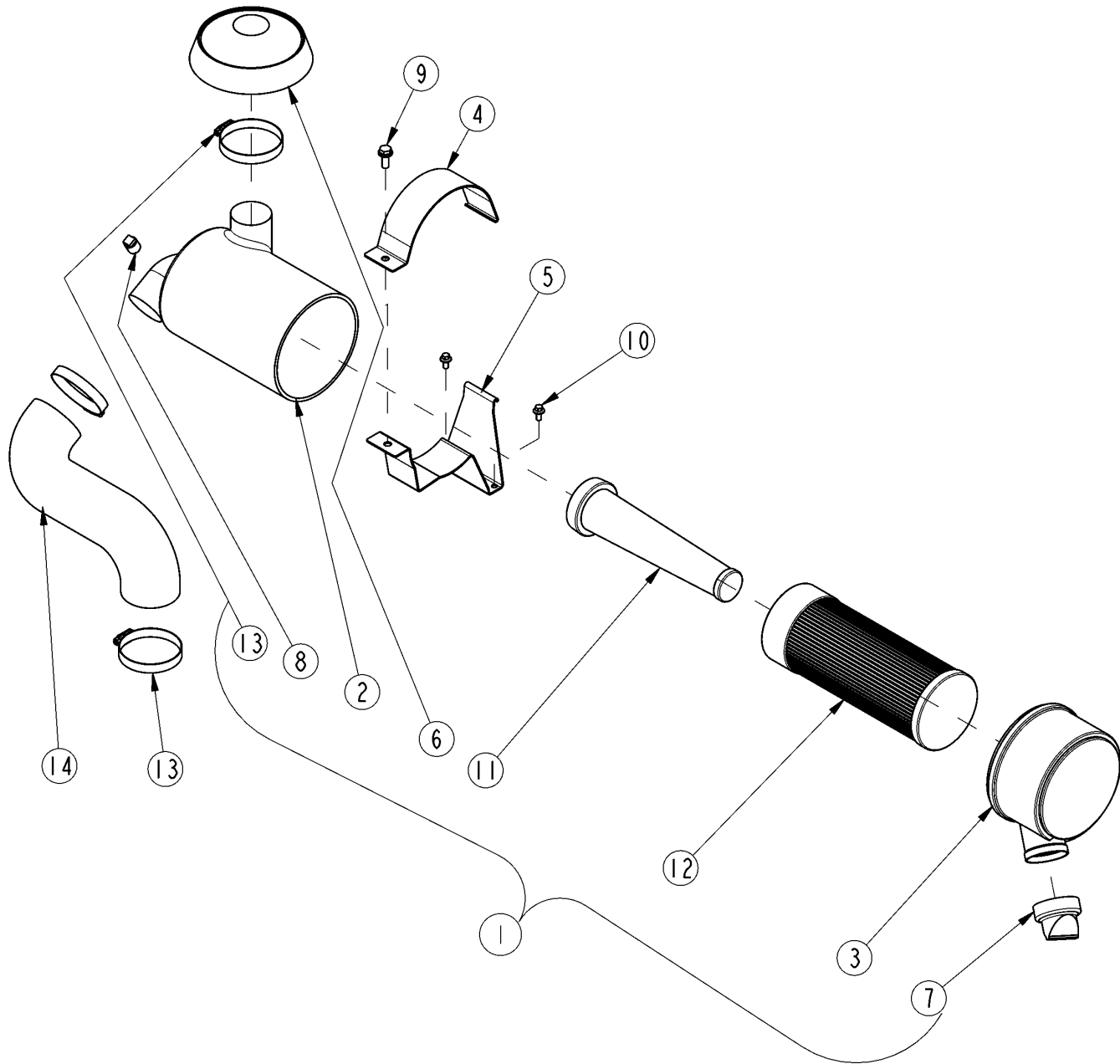
33791

Transmission to Frame Assembly**Applies to ACCU-Z ZT60i (S/N 748110+), ACCU-Z ZT72i (S/N 748110+)**

Ref	Part No.	Part Description	Comments	Revision
	dwg33791	Drawing Image Number		
1.	357-518H	IDLER ARM		
2.	357-519S	IDLER ARM, TENSIONER		
3.	358-211D	SPRING TENSION BRACKET		
4.	358-241D	HOSE, EXPANSION TANK		
5.	800-029C	SINGLE WIRE HOSE CLAMP #14		
6.	802-051C	HHCS 5/8-11X1 1/2 GR5		
7.	802-083C	HFSS 1/2-13X1 1/4 GR8		
8.	802-282C	RHSNB 5/16-18X1 GR5		
9.	802-567C	SP EYE 3/8-16X 3 7/8		
10.	802-633C	RHSNB 1/4-20X5/8 PLT		
11.	803-024C	NUT LOCK 5/8-11 PLT		
12.	803-043C	NUT HEX WHIZ 5/16-18 PLT		
13.	803-194C	NUT HEX WHIZ 1/4-20 PLT		
14.	803-198C	NUT HEX WHIZ 3/8-16 PLT		
15.	803-329C	NUT LUG 1/2-20X60DEG PLT(.81AF		
16.	804-021C	WASHER FLAT 5/8 SAE PLT		
17.	804-022C	WASHER LOCK SPRING 5/8 PLT		
18.	807-242C	SPRING, EXT 1.5ODX5.85LX.148WD		
19.	808-384C	PULLEY,4.5ODX.631IDX.96W IDLER		
20.	816-780C	V-BELT, B-SEC, EL 68.04	S/N 790200+	
20.	816-709C	RPBY 816-780C	S/N 790199-	
21.	817-028C	DOUBLE DISK ARM PIVOT BUSHINGS		
22.	817-911C	ASSY, EXPANSION TANK 1000ML		
23.	817-912C	CAP, EXPANSION TANK		
24.	831-089C	TRANSAXLE, RH		
25.	831-090C	TRANSAXLE, LH		

Air Cleaner Kawasaki 27 HP

Applies to ACCU-Z ZT60i (S/N 748110+), ACCU-Z ZT72i (S/N 748110+)



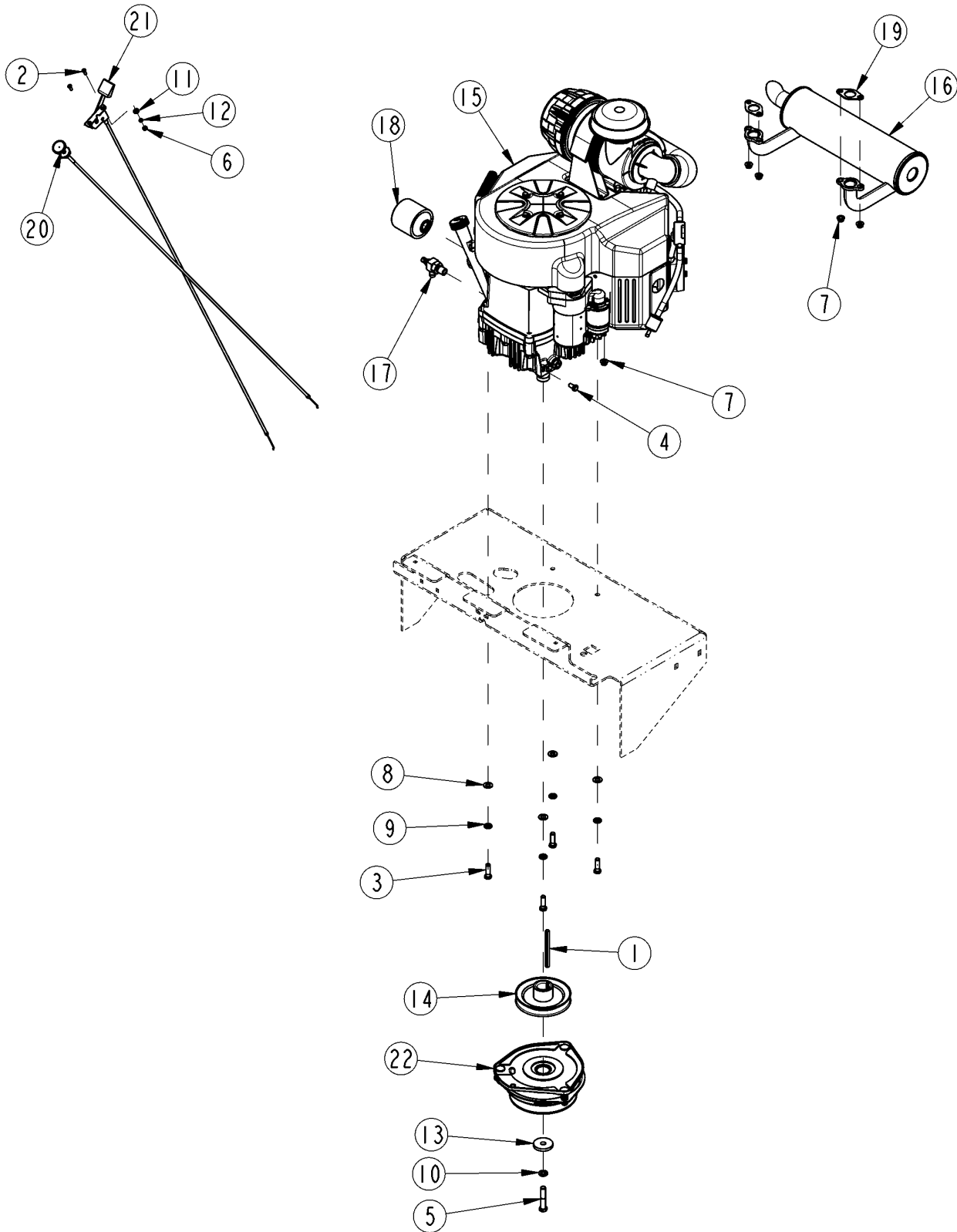
25858

Air Cleaner Kawasaki 27 HP**Applies to ACCU-Z ZT60i (S/N 748110+), ACCU-Z ZT72i (S/N 748110+)**

Ref	Part No.	Part Description	Comments	Revision
	dwg25858	Drawing Image Number		
1.	11010-7020	KAW FILTER-ASSY, AIR	For Engine Model Code FX850V-AS09	
1.	11010-7028	KAW FILTER-ASSY, AIR	For Engine Model Code FX850V-BS09	
2.	11011-7047	KAW CASE-AIR FILTER		
3.	11011-7050	KAW CASE-AIR FILTER		
4.	11054-7013-9X	KAW BRACKET		
5.	11054-7016-9X	KAW BRACKET		
6.	11065-7017	KAW CAP	For Engine Model Code FX850V-AS09	
6.	11065-7025	KAWASAKI CAP AIR-CLEANER	For Engine Model Code FX850V-BS09	
7.	11065-7008	KAWASAKI BURP CAP		
8.	11065-7009	KAWASAKI PLUG PLASTIC		
9.	802-778C	HFS M8X1.25X20 GR.8.8 PLT		
10.	802-846C	HFS M6X1X12 PLT		
11.	839-973C	KAW SAFETY FILTER 11013-7039		
12.	839-974C	KAW AIR FILTER 11013-7038		
13.	92171-7023	KAW CLAMP, AIR FILTER	For Engine Model Code FX850V-AS09	
13.	92171-7007	KAW CLAMP	For Engine Model Code FX850V-BS09	
14.	92192-7087	KAW TUBE	For Engine Model Code FX850V-AS09	
14.	92192-7189	KAW TUBE	For Engine Model Code FX850V-BS09	

Engine Assembly Kawasaki 27 HP

Applies to ACCU-Z ZT60i (S/N 748110+), ACCU-Z ZT72i (S/N 748110+)



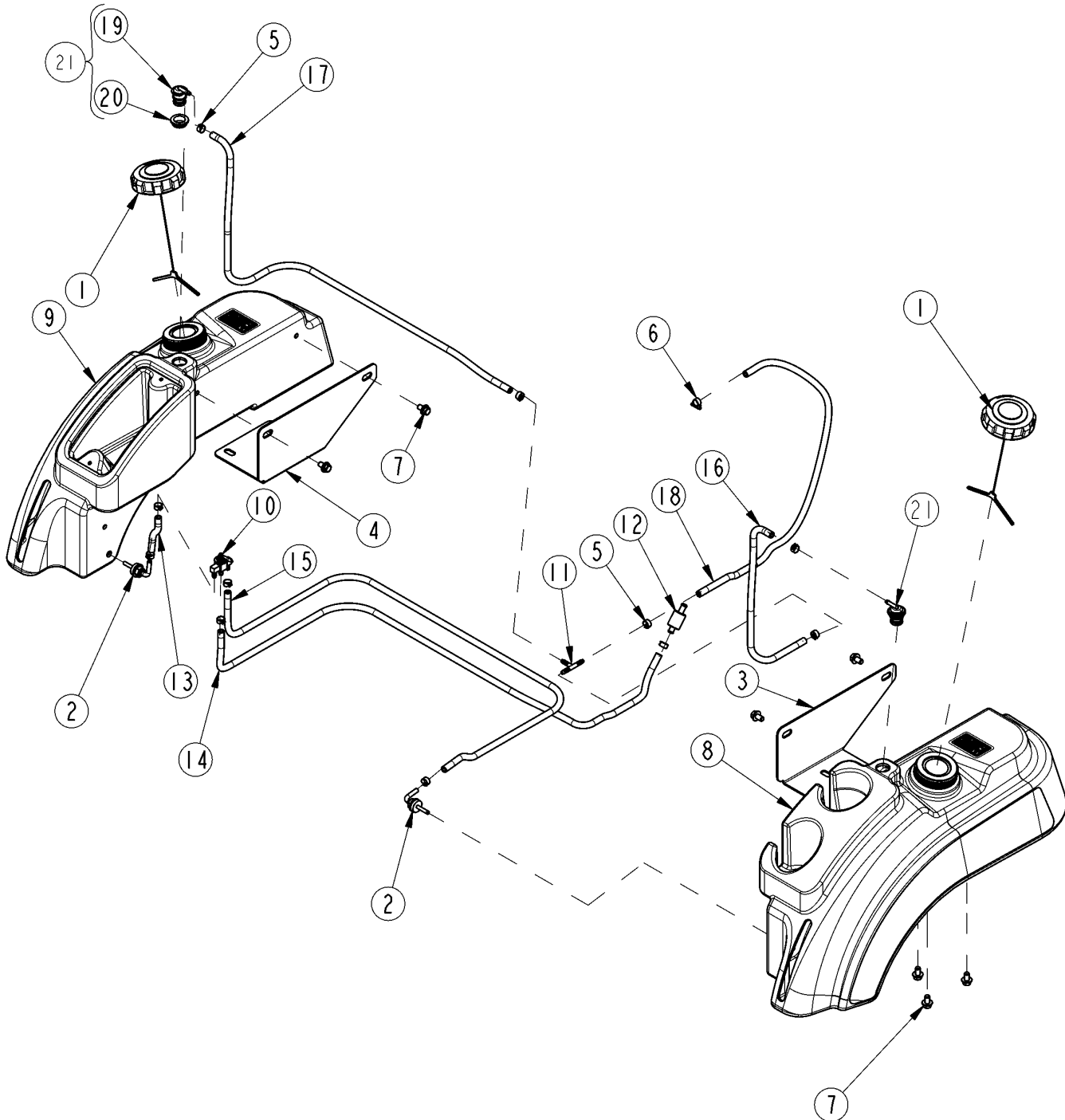
33793

Engine Assembly Kawasaki 27 HP**Applies to ACCU-Z ZT60i (S/N 748110+), ACCU-Z ZT72i (S/N 748110+)**

Ref	Part No.	Part Description	Comments	Revision
	dwg33793	Drawing Image Number		
1.	358-283D	KEY, 1/4 X 1/4 X 4 LG		
2.	801-205C	TPHMS Y #10-24 X 1/2 ZNYCR		
3.	802-079C	HHCS 3/8-16X1 1/4 GR5		
4.	802-459C	HHCS M8X1.25X16 GR8.8		
5.	802-923C	HHCS 7/16-20X2 1/4 GR8		
6.	803-001C	NUT HEX 10-24 PLT		
7.	803-220C	NUT HEX FLANGE M8X1.25 PLT		
8.	804-012C	WASHER FLAT 3/8 SAE PLT		
9.	804-013C	WASHER LOCK SPRING 3/8 PLT		
10.	804-014C	WASHER LOCK 7/16 PLT		
11.	804-046C	WASHER FLAT #10 SAE PLT		
12.	804-054C	WASHER LOCK #10		
13.	804-231C	WASHER .460 X 1.75 X.25 PLT		
14.	808-436C	PULLEY 5.0 PD X 1.125 ID B-SEC		
15.	826-616C	KAW, FX850V, 27HP		
16.	826-619C	MUFFLER, 27/29/31 HP KAW		
17.	829-128C	VALVE,20MM O-RING OIL DRAIN		
18.	831-034C	ENGINE OIL FILTER Z		
19.	839-049C	KAW (23) GASKET, MUFFLER		
20.	890-106C	CABLE, 53X.062X1.87 CHOKE		
21.	890-115C	CABLE, 50X.062X2.12 THROTTLE		
22.	891-256C	CLUTCH, 12 V		

Fuel System

Applies to ACCU-Z ZT60i (S/N 748110+), ACCU-Z ZT72i (S/N 748110+)



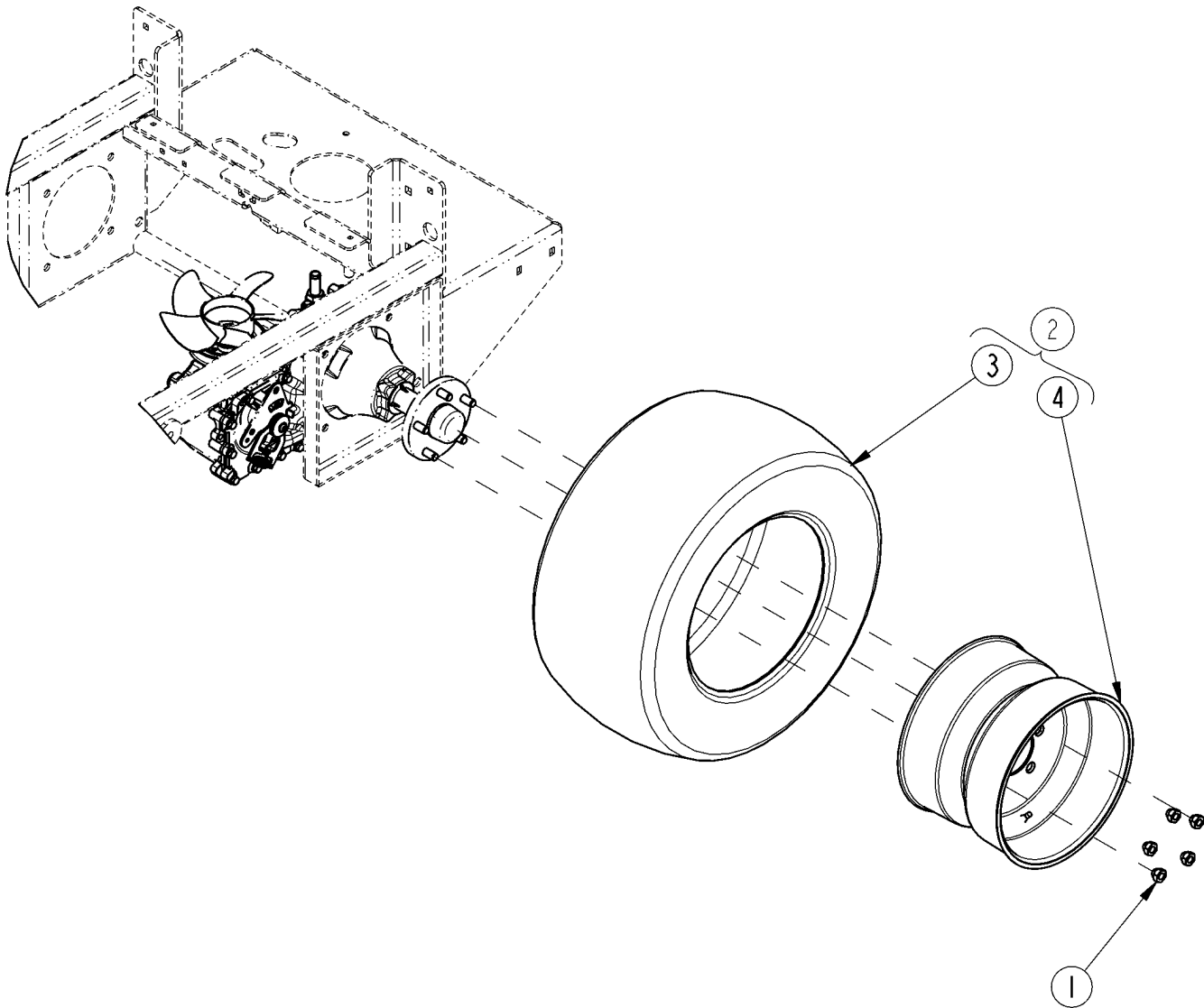
33794

Fuel System**Applies to ACCU-Z ZT60i (S/N 748110+), ACCU-Z ZT72i (S/N 748110+)**

Ref	Part No.	Part Description	Comments	Revision
	dwg33794	Drawing Image Number		
1.	203238	CAP, NON-VENTED FUEL		
2.	356-137S	GAS TANK FITTING W/NUT&WASHER		
3.	358-284D	TANK SUPPORT, LH		
4.	358-285D	TANK SUPPORT, RH		
5.	800-356C	CLAMP PINCH FOR .50 OD HOSE		
6.	800-412C	CLAMP WRM DRV (.21-.63)		
7.	802-732C	HFSS 3/8-16X5/8 GR5 ZNYCR		
8.	817-995C	LH FUEL TANK, RED, COMPLIANT	S/N _____+	
8.	817-887C	RPBY 817-995C	S/N _____+	
9.	817-996C	RH FUEL TANK, RED, COMPLIANT	S/N _____+	
9.	817-888C	RPBY 817-996C	S/N _____+	
10.	829-129C	VALVE,FUEL SELECTOR		
11.	830-009C	TEE 1/4HB POLYPROP		
12.	831-031C	FUEL FILTER		
13.	990-225R	HOSE RUBBER.25ID/.5 OD SAE30R7		
14.	990-225R	HOSE RUBBER.25ID/.5 OD SAE30R7		
15.	990-225R	HOSE RUBBER.25ID/.5 OD SAE30R7		
16.	990-225R	HOSE RUBBER.25ID/.5 OD SAE30R7		
17.	990-225R	HOSE RUBBER.25ID/.5 OD SAE30R7		
18.	990-225R	HOSE RUBBER.25ID/.5 OD SAE30R7		
19.	N/A	ROV ASY		
20.	N/A	GROMMET, FUEL TANK FITTING		
21.	357-501A	SV KIT, EPA VALVE & GROMMET		

Drive Wheels

Applies to ACCU-Z ZT60i (S/N 748110+), ACCU-Z ZT72i (S/N 748110+)



33795

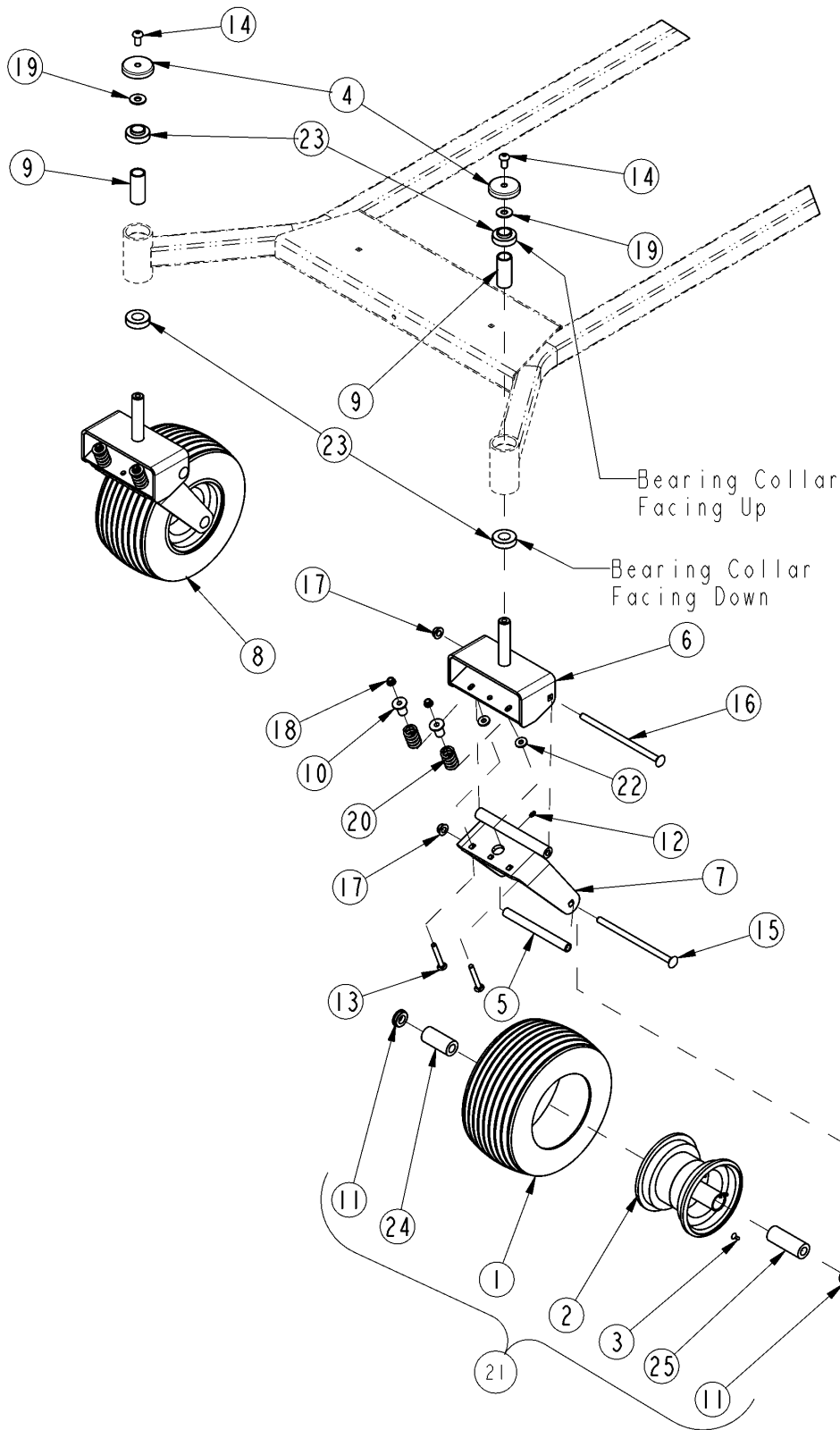
Drive Wheels

Applies to ACCU-Z ZT60i (S/N 748110+), ACCU-Z ZT72i (S/N 748110+)

Ref	Part No.	Part Description	Comments	Revision
	dwg33795	Drawing Image Number		
1.	803-329C	NUT LUG 1/2-20X60DEG PLT(.81AF		
2.	814-305C	TIRE/WHL,24X12.00-12 4PR TURF		
2.	814-484C	TIRE/WHL 2" OFFSET 24X12 TURF		
3.	814-310C	TURF TIRE 24X12		
4.	814-311C	WHEEL-RIM 12		
4.	814-485C	WHEEL/RIM 12" W/ 2" OFFSET		

Front Caster Wheels

Applies to ACCU-Z ZT60i (S/N 748110+), ACCU-Z ZT72i (S/N 748110+)



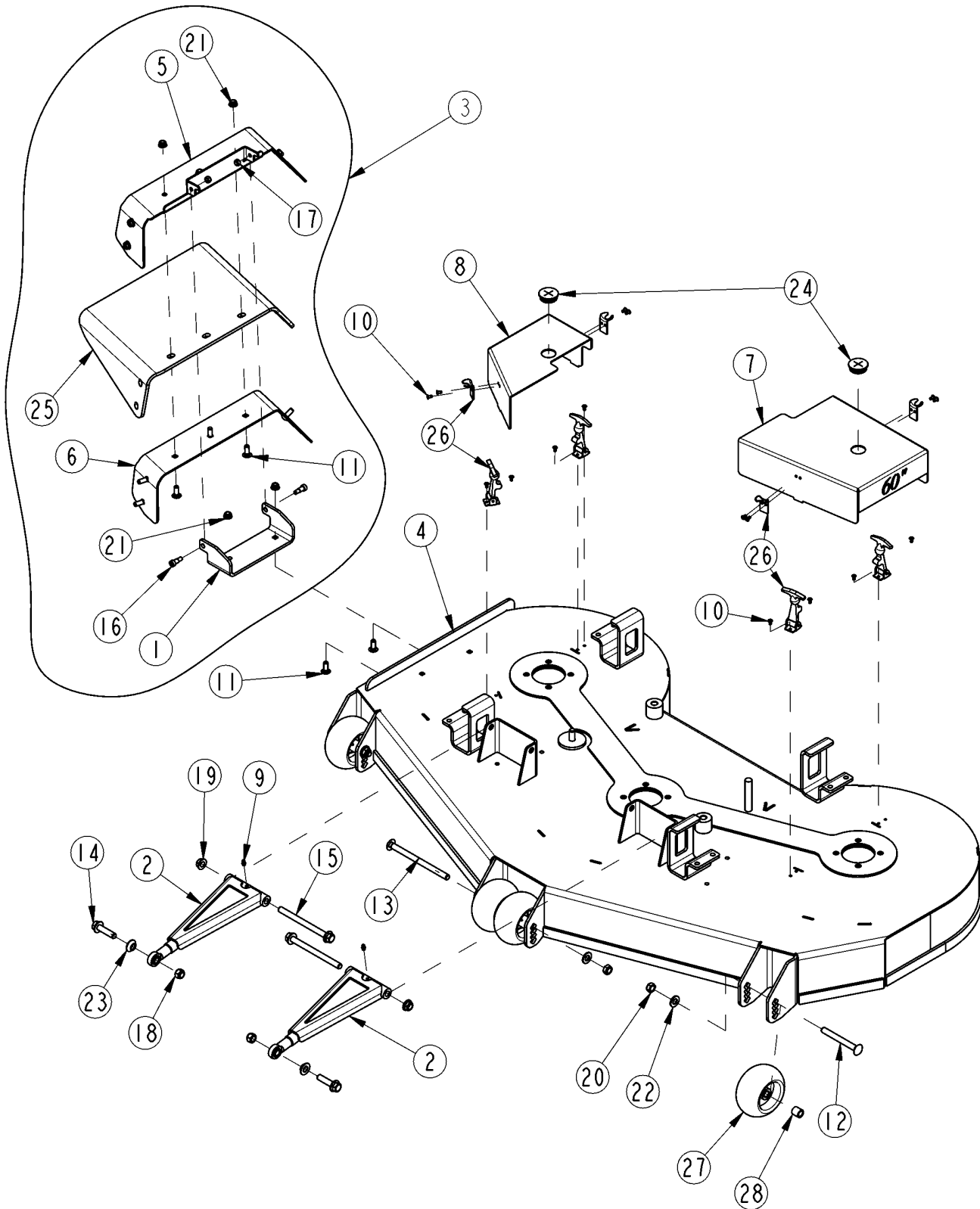
33796

Front Caster Wheels**Applies to ACCU-Z ZT60i (S/N 748110+), ACCU-Z ZT72i (S/N 748110+)**

Ref	Part No.	Part Description	Comments	Revision
	dwg33796	Drawing Image Number		
1.	5181861	CARLISLE TIRE 13 X 6.5-6 4PLY		
2.	814-323C	RIM 6.50X6		
3.	TR-412	T1. VALVE MARTIN		
4.	357-120D	CAP, CASTER SPINDLE HUB		
5.	357-487D	TUBE, CASTER WHEEL AXLE		
6.	357-548H	MOUNT CASTER, FRONT SUSPENSION		
7.	357-549H	PIVOT CASTER, FRONT SUSPENSION		
8.	357-550A	SUSPENSION, FRONT CASTER ASSY		
9.	358-109D	SPACER, BEARING		
10.	358-282D	BUSHING, SPRING STOP		
11.	53-164	TILDEN RTNR 3/4IDX1 3/8OD		
12.	800-080C	GREASE ZERK 1/4-28 THD FORMING		
13.	802-195C	RHSNB 3/8-16X3 GR5		
14.	802-371C	HSBHCS 1/2-13X1 GR5 NYL		
15.	802-931C	RHSNB 1/2-13X9 GR5		
16.	802-932C	RHSNB 1/2-13X9 1/2 GR5		
17.	803-169C	NUT HEX FLG LOCK 1/2-13 PLT		
18.	803-209C	NUT FLANGE LOCK 3/8-16 PLT		
19.	804-017C	WASHER FLAT 1/2 USS PLT		
20.	807-311C	SPRING COMP 1.19ODX1.75X.195W		
21.	814-304C	TIRE/WHL, 13X6.50-6NHS 4PR RIB		
22.	817-923C	WASHER, NYLON, 3/8ID		
23.	822-111C	BRG 1.00IDX2.04OD		
24.	822-223C	BRG .75X1.38X3.00L ROLLER		
25.	822-222C	BRG, .75X1.38X3.75L ROLLER		

Deck Assembly

Applies to ACCU-Z ZT60i (S/N 748110+), ACCU-Z ZT72i (S/N 748110+)



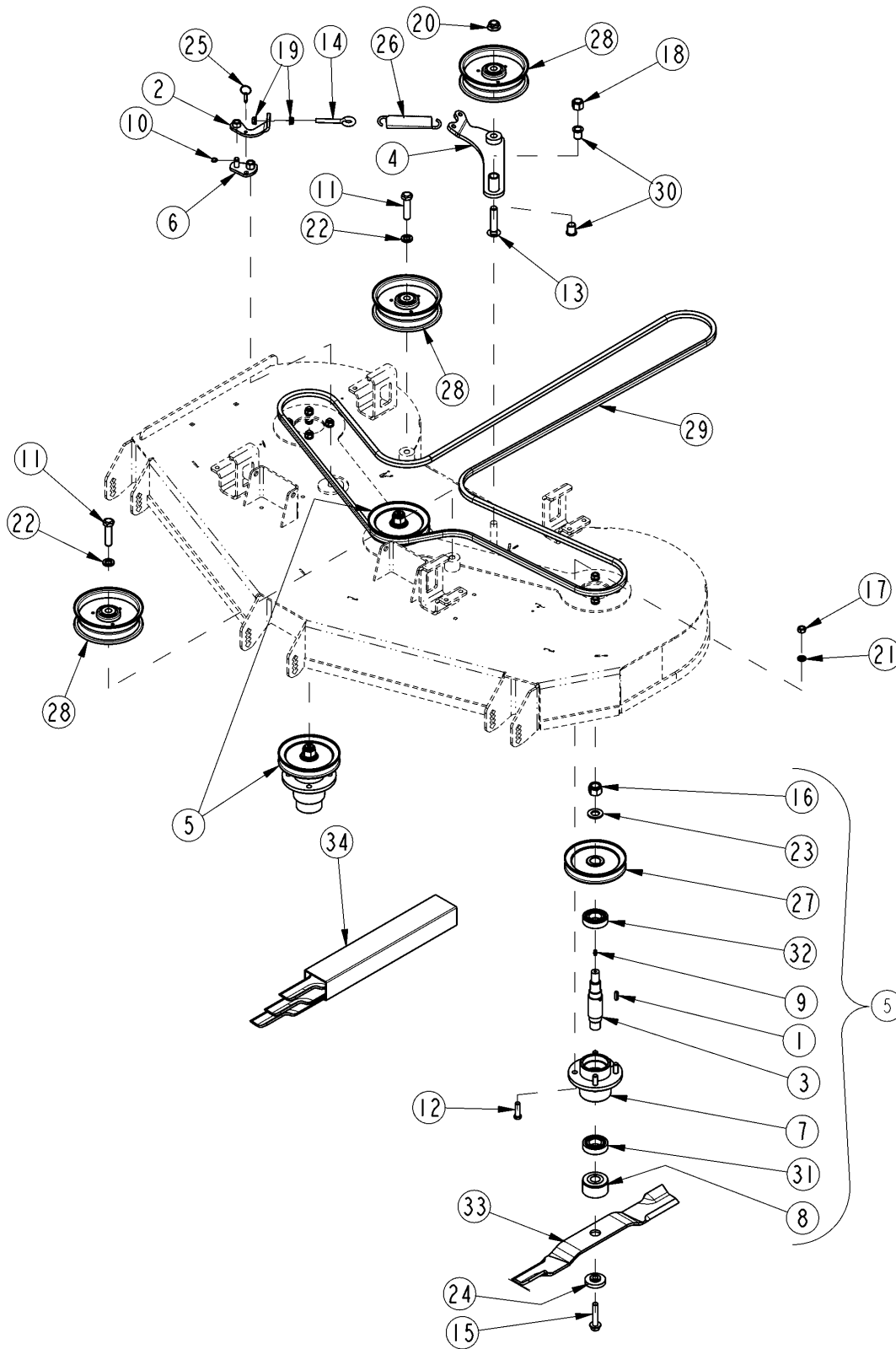
33797

Deck Assembly**Applies to ACCU-Z ZT60i (S/N 748110+), ACCU-Z ZT72i (S/N 748110+)**

Ref	Part No.	Part Description	Comments	Revision
	dwg33797	Drawing Image Number		
1.	357-282D	CHUTE BRACKET		
2.	357-544H	STRUT		
3.	357-545S	DECK CHUTE ASSY		
4.	357-546H	DECK WELDMENT, 60		
4.	357-542H	DECK WELDMENT, 72		
5.	358-253D	CHUTE BRACKET, TOP		
6.	358-254D	CHUTE BRACKET, BOTTOM		
7.	358-271D	BELT GUARD, LEFT, 60		
7.	358-255D	BELT GUARD, LEFT, 72		
8.	358-272D	BELT GUARD, RIGHT, 60		
8.	358-256D	BELT GUARD, RIGHT, 72		
9.	800-080C	GREASE ZERK 1/4-28 THD FORMING		
10.	800-219C	RIVET POP 3/16 .126-.250		
11.	802-015C	RHSNB 3/8-16X1 GR5		
12.	802-137C	RHSNB 1/2-13X4 1/2 GR8 PLT		
13.	802-218C	RHSNB 1/2-13X7 1/4 GR5 SPTH		
14.	802-456C	HFS 1/2-13X2 GR8		
15.	802-745C	HFS 1/2-13X6 1/8GR5 PLT		
16.	802-794C	SHOULDER BOLT 3/8X1/2X5/16-18		
17.	803-084C	NUT HEX NYLOCK 5/16-18 PLT		
18.	803-147C	NUT HEX NYLOCK 1/2-13		
19.	803-169C	NUT HEX FLG LOCK 1/2-13 PLT		
20.	803-178C	NUT NYLOCK JAM NUT 1/2-13		
21.	803-209C	NUT FLANGE LOCK 3/8-16 PLT		
22.	804-016C	WASHER FLAT 1/2 SAE PLT		
23.	804-154C	WASHER POWDER METAL CONE 1/2		
24.	816-298C	RUBBER PLUG 1 3/8 W/CROSS SLIT		
25.	816-537C	CHUTE, RUBBER DISCHARGE		
26.	816-712C	RUBBER LATCH 37-10-086-20		
27.	817-581C	WHEEL, ANTI SCALP		
28.	357-722D	SPACER 3/4OD X 11GA WL X 3/4L		

Deck Pulleys & Drive Belt

Applies to ACCU-Z ZT60i (S/N 748110+), ACCU-Z ZT72i (S/N 748110+)



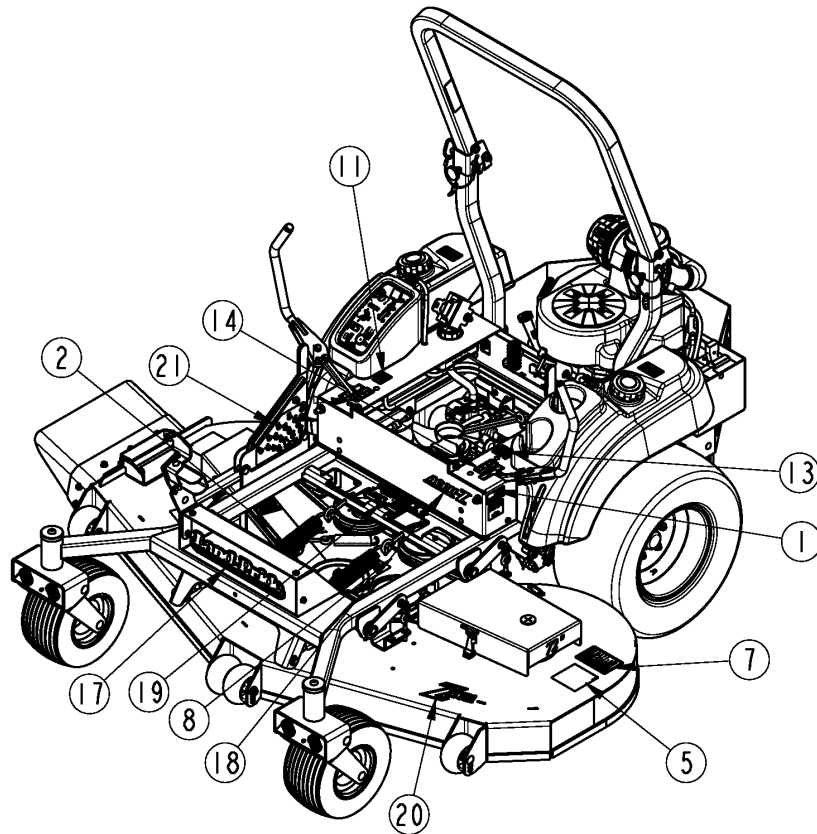
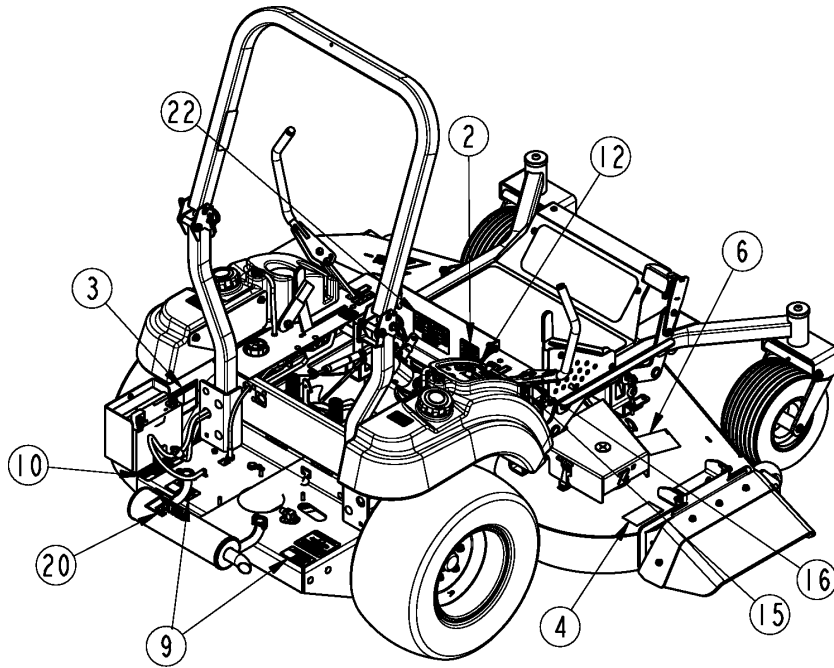
33798

Deck Pulleys & Drive Belt**Applies to ACCU-Z ZT60i (S/N 748110+), ACCU-Z ZT72i (S/N 748110+)**

Ref	Part No.	Part Description	Comments	Revision
	dwg33798	Drawing Image Number		
1.	172-242D	1/4 SQ. KEY X 7/8 LG		
2.	310-095H	CW SPRING EYE-BOLT BRACKET		
3.	310-630D	BLADE SPINDLE SHAFT CW TG		
4.	357-024H	LEVER AY, BELT TENSION IDLER		
5.	357-064S	CW HUB ASSY BTM MNT 6"PULLEY	ZT60i	
5.	357-078S	CW HUB ASSY BTM MNT 7.25"PULLY	ZT72i	
6.	357-224H	OVER CENTER LATCH-90		
7.	357-279D	BLADE HUB BOTTOM MOUNT		
8.	357-280D	BLADE HUB - 7/8 (PLATED) 1.29T		
9.	800-001C	GREASE ZERK STRAIGHT 1/4-28		
10.	800-099C	SNAP RING EXT 7/16		
11.	802-058C	HHCS 5/8-11X2 1/2 GR5		
12.	802-229C	HHCS 7/16-20X1 1/2 GR8		
13.	802-338C	RHSNB 5/8-11X3 GR5		
14.	802-567C	SP EYE 3/8-16X 3 7/8		
15.	802-698C	HFS 1/2-20X2 1/2 GR8		
16.	803-114C	NUT LOCK 3/4-16 NYLOC COLLAR		
17.	803-115C	NUT HEX 7/16-20 PLT		
18.	803-119C	NUT LOCK 5/8-18 NYLOK COLLAR P		
19.	803-198C	NUT HEX WHIZ 3/8-16 PLT		
20.	803-263C	NUT HEX FLANGE LOCK 5/8-11 PLT		
21.	804-014C	WASHER LOCK 7/16 PLT		
22.	804-022C	WASHER LOCK SPRING 5/8 PLT		
23.	804-093C	WASHER FLAT 3/4 HARD ASTM436		
24.	804-110C	WASHER BLADE 2ODX.56THKX.51ID		
25.	805-405C	PIN 1/4 X 1/2 COTTERLESS HITCH		
26.	807-068C	SPRING EXT BELT HANDLE		
27.	808-127C	B-GROOVE DRIVE PULLEY 6 O.D.	ZT60i	
27.	808-361C	B-GROOVE PULLEY 7 1/4 O.D.	ZT72i	
28.	808-414C	FLAT IIDLER PULLEY, 6.75 O.D.		
29.	816-782C	V-BELT, B-SEC, EL 175.90	ZT60i S/N 795209+	
29.	816-711C	RPBY 816-782C	ZT60i S/N 795208-	
29.	816-781C	V-BELT, B-SEC, EL 199.73	ZT72i S/N 790200+	
29.	816-710C	RPBY 816-781C	ZT72i S/N 790199-	
30.	817-028C	DOUBLE DISK ARM PIVOT BUSHINGS		
31.	822-006C	BRG BALL 30IDX62OD 206		
32.	822-161C	BRG 1.18IDX2.44OD 6206 W/SHLD		
33.	890-951C	MWR BLD 1/4X20.91 ML CW FUSION	ZT60i Standard	
33.	890-204C	MWR BLD 5/16X20 29/32SD LL CW	ZT60i Optional	
33.	890-702C	MWR BLD MULCH 1/4X20.91SD CW	ZT60i Optional	
33.	890-952C	MWR BLD 1/4X25 SD ML CW FUSION	ZT72i Standard	
33.	890-200C	MWR BLD 5/16 X 25SD LL CW	ZT72i Optional	
33.	890-698C	MWR BLD MULCH 1/4X25SD CW	ZT72i Optional	
34.	357-628A	40/60" MWR BLADE KIT, MED LIFT	ZT60i Standard	
34.	310-466A	40/60" MWR BLADE KIT, LOW LIFT	ZT60i Optional	
34.	310-469A	40/60" MWR BLADE KIT, MULCH	ZT60i Optional	
34.	357-629A	72" MOWER BLADE KIT, MED LIFT	ZT72i Standard	
34.	310-470A	72" MOWER BLADE KIT, LOW LIFT	ZT72i Optional	
34.	310-473A	72" MOWER BLADE KIT, MULCH	ZT72i Optional	

Label Placement

Applies to ACCU-Z ZT60i (S/N 748110+), ACCU-Z ZT72i (S/N 748110+)



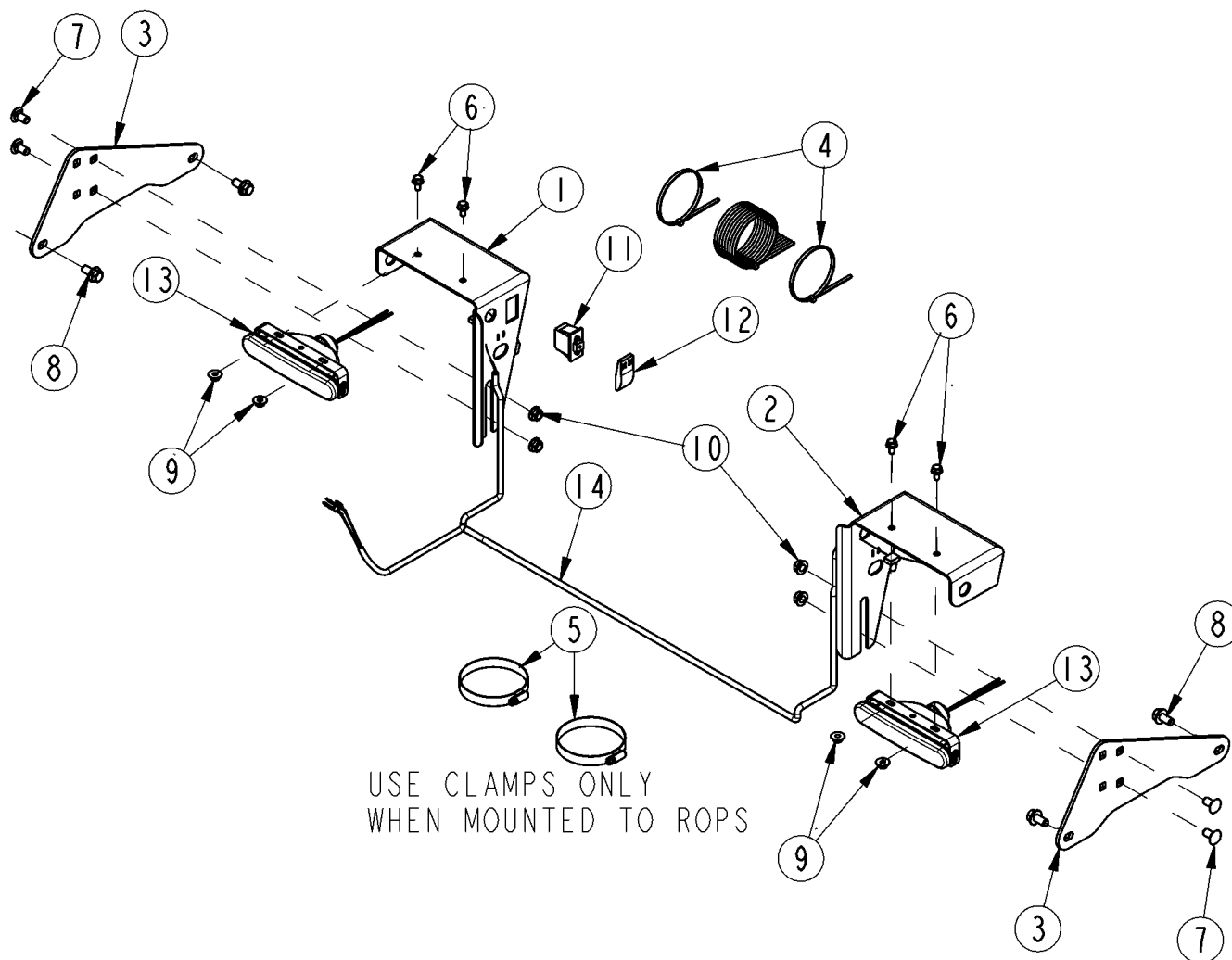
33799

Label Placement**Applies to ACCU-Z ZT60i (S/N 748110+), ACCU-Z ZT72i (S/N 748110+)**

Ref	Part No.	Part Description	Comments	Revision
	dwg33799	Drawing Image Number		
1.	818-190C	DECAL FLAG		
2.	818-543C	DECAL DANGER PD GUARD MISS SML		
3.	838-303C	DECAL DANGER BATTERY		
4.	838-306C	DECAL WARNING DO NOT OPERATE		
5.	838-307C	DECAL MOVING PART HAZARD		
6.	838-308C	DECAL ROTATING BLADE HAZARD		
7.	838-310C	DECAL WARNING GEN SAFE MOWER		
8.	838-328C	DECAL BELT ROUTING		
9.	838-444C	DECAL DANGER HOT		
10.	838-764C	DECAL BATTERY DISCONNECT		
11.	838-785C	DECAL FUEL SELECTOR 3 WAY		
12.	838-811C	DECAL, RAZOR 2 CONTROL PANEL		
13.	838-812C	DECAL, PARK LEVER OPERATION		
14.	838-814C	DECAL, STEERING CONTROL		
15.	838-815C	DECAL, ROLLOVER HAZARD		
16.	838-829C	DECAL, CAUTION DO NOT PWR WASH		
17.	838-965C	DECAL LANDPRIDE 16" BROWN/GOLD		
18.	848-028C	DECAL ACCU Z TAN		
19.	848-268C	DECAL, ZXT OPERATING		
20.	848-469C	DECAL, ZT60I		
20.	848-470C	DECAL, ZT72I		
21.	848-799C	DECAL, DECK CUTTING HEIGHT		
22.	848-800C	DECAL, SERVICE PARTS		

Light Kit

Applies to ACCU-Z ZT60i (S/N 748110+), ACCU-Z ZT72i (S/N 748110+)

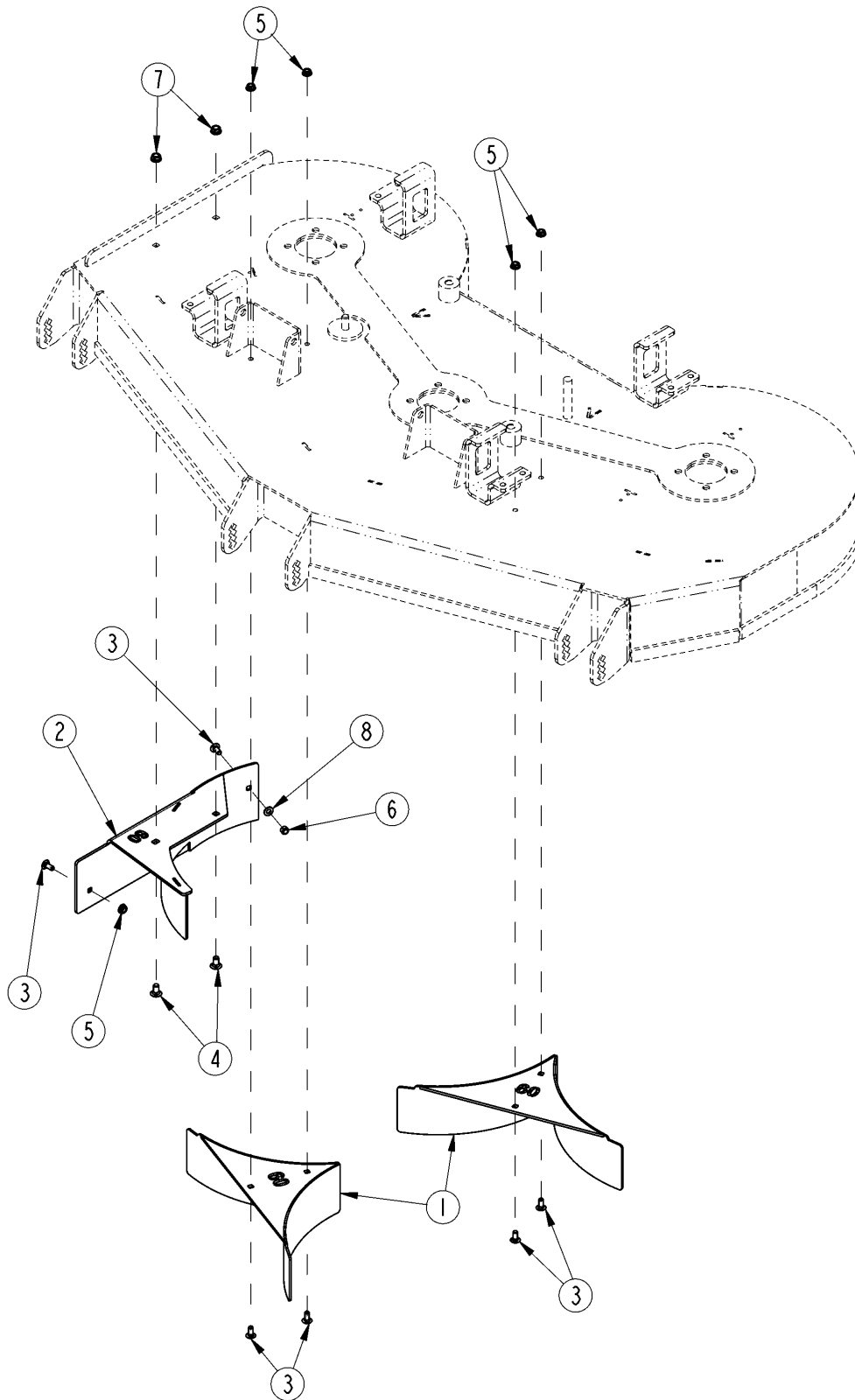


Light Kit**Applies to ACCU-Z ZT60i (S/N 748110+), ACCU-Z ZT72i (S/N 748110+)**

Ref	Part No.	Part Description	Comments	Revision
	dwg35491	Drawing Image Number		
	357-160A	LIGHT KIT, Z-MOWER *		
1.	357-450D	LIGHT BRCKT RH, Z MOWER		
2.	357-461D	LIGHT BRCKT LH, Z MOWER		
3.	357-634D	ADAPTER PLATE LIGHT KIT		
4.	800-060C	CABLE TIE .19X14.25 3DIA 50LB		
5.	800-241C	CLAMP WRM DRV #48SS (1.63-3.5)		
6.	802-148C	HFSS 1/4-20X1/2 GR5		
7.	802-149C	RHSNB 3/8-16X3/4 GR5		
8.	802-185C	HFSS 3/8-16X3/4 LG		
9.	803-088C	NUT HEX LOCK 1/4-20 FLG		
10.	803-209C	NUT FLANGE LOCK 3/8-16 PLT		
11.	833-269C	SWITCH ROCKER SPST		
12.	833-271C	SWITCH ACTUATOR		
13.	833-275C	HEADLIGHT		
14.	833-444C	WIRE HARNESS,LIGHT KIT Z-MOWER		

Mulch Kit

Applies to ACCU-Z ZT60i (S/N 748110+), ACCU-Z ZT72i (S/N 748110+)



33801

Mulch Kit**Applies to ACCU-Z ZT60i (S/N 748110+), ACCU-Z ZT72i (S/N 748110+)**

Ref	Part No.	Part Description	Comments	Revision
	dwg33801	Drawing Image Number		
	357-573A	MULCH KIT, 60		
	357-577A	MULCH KIT, 72		
		*		
1.	357-574H	MULCH BAFFLE, 60		
1.	357-576H	MULCH BAFFLE, 72		
2.	357-575H	MULCH PLUG, 60		
2.	357-578H	MULCH PLUG, 72		
3.	802-092C	RHSNB 5/16-18X3/4 GR5		
4.	802-149C	RHSNB 3/8-16X3/4 GR5		
5.	803-043C	NUT HEX WHIZ 5/16-18 PLT		
6.	803-084C	NUT HEX NYLOCK 5/16-18 PLT		
7.	803-198C	NUT HEX WHIZ 3/8-16 PLT		
8.	804-036C	WASHER FLAT 5/16 SAE PLT		



Part Number Index

The Part Number Index is a numeric index of all part numbers included in this manual. The index shows what page(s) the part is used on.

Part Number	Page	Part Number	Page	Part Number	Page	Part Number	Page
0-332-209-150	27	357-722D	43	802-148C	49	804-022C	31, 45
11010-7020	33	357-781D	21	802-149C	7, 9, 49, 51	804-036C	13, 15, 17, 19,
11010-7028	33	357-851D	19	802-155C	21		21, 51
11011-7047	33	357-852D	7	802-185C	49	804-041C	11
11011-7050	33	357-855D	27	802-195C	41	804-046C	35
11054-7013-9X	33	358-018D	21	802-218C	43	804-054C	17, 35
11054-7016-9X	33	358-022D	21	802-227C	11	804-056C	7
11065-7008	33	358-046D	23	802-229C	45	804-093C	45
11065-7009	33	358-086D	19	802-252C	21	804-110C	45
11065-7017	33	358-109D	41	802-257C	23	804-154C	43
11065-7025	33	358-194D	19	802-258C	7	804-231C	35
172-242D	45	358-208D	7	802-282C	31	805-010C	7
203238	37	358-210D	19	802-338C	45	805-063C	17
230024700	11	358-211D	31	802-371C	41	805-400C	17
230321672	11	358-215D	17	802-387C	7	805-405C	45
310-095H	45	358-225D	21	802-456C	43	805-438C	21
310-466A	45	358-226D	21	802-459C	35	805-444C	17
310-469A	45	358-230D	21	802-567C	31, 45	807-068C	45
310-470A	45	358-231D	7	802-569C	19, 21	807-096C	7
310-473A	45	358-232D	7	802-633C	7, 17, 19, 23, 27,		
310-630D	45	358-241D	31		31	807-242C	31
356-074D	13	358-242D	7	802-674C	21	807-280C	19
356-137S	37	358-253D	43	802-698C	45	807-288C	7
357-002H	19	358-254D	43	802-732C	37	807-303C	17
357-024H	45	358-255D	43	802-745C	43	807-308C	21
357-042H	19	358-256D	43	802-747C	7	807-309C	17
357-064S	45	358-271D	43	802-778C	33	807-311C	41
357-078S	45	358-272D	43	802-794C	43	807-320C	17
357-112D	23	358-282D	41	802-846C	33	808-127C	45
357-120D	41	358-283D	35	802-923C	35	808-361C	45
357-160A	49	358-284D	37	802-931C	41	808-384C	31
357-224H	45	358-285D	37	802-932C	41	808-414C	45
357-279D	45	5181861	41	803-001C	17, 35	808-436C	35
357-280D	45	53-164	41	803-011C	13, 15	814-304C	41
357-282D	43	53008	29	803-012C	21	814-305C	39
357-420A	11	53018	29	803-019C	11	814-310C	39
357-450D	49	53367	29	803-024C	31	814-311C	39
357-461D	49	53724	29	803-043C	31, 51	814-323C	41
357-487D	41	711941272	11	803-052C	21	814-484C	39
357-501A	37	71906	29	803-078C	19	814-485C	39
357-514H	19	71943	29	803-084C	21, 43, 51	816-298C	43
357-516H	9	71945	29	803-086C	21	816-433C	7
357-518H	31	72039	29	803-088C	49	816-461C	19
357-519S	31	800-001C	9, 45	803-094C	17	816-491C	7
357-520H	7	800-029C	31	803-114C	45	816-537C	43
357-521H	17	800-060C	49	803-115C	45	816-709C	31
357-522H	17	800-080C	41, 43	803-119C	45	816-710C	45
357-523H	17	800-099C	45	803-147C	43	816-711C	45
357-525H	17	800-121C	19	803-169C	7, 11, 41, 43	816-712C	43
357-529H	21	800-219C	43	803-177C	7, 19	816-780C	31
357-532H	21	800-241C	49	803-178C	43	816-781C	45
357-533H	9	800-303C	25, 27	803-178C	43	816-782C	45
357-534V	7	800-356C	37	803-193C	19	817-028C	17, 19, 31, 45
357-542H	43	800-412C	37	803-194C	7, 17, 19, 23, 27,		
357-544H	43	801-198C	23		31	817-246C	17, 21
357-545S	43	801-202C	7	803-198C	21, 31, 45, 51	817-560C	7, 17
357-546H	43	801-205C	35	803-209C	7, 9, 19, 21, 41,		
357-548H	41	801-225C	17		43, 49	817-581C	43
357-549H	41	801-237C	19	803-220C	35	817-618C	19
357-550A	41	802-015C	43	803-263C	45	817-755C	19
357-573A	51	802-026C	19	803-270C	19	817-887C	37
357-574H	51	802-042C	11	803-293C	23	817-888C	37
357-575H	51	802-051C	31	803-329C	31, 39	817-911C	31
357-576H	51	802-058C	45	803-333C	11	817-912C	31
357-577A	51	802-079C	35	804-011C	21	817-923C	41
357-578H	51	802-083C	31	804-012C	19, 35	817-995C	37
357-587A	11	802-092C	21, 51	804-013C	35	817-996C	37
357-628A	45	802-099C	11	804-014C	35, 45	818-190C	47
357-629A	45	802-113C	21	804-016C	7, 43	818-543C	47
357-634D	49	802-137C	43	804-017C	41	822-006C	45
				804-021C	17, 31	822-111C	41
						822-161C	45
						822-222C	41



Part Number Index (continued)

<u>Part Number</u>	<u>Page</u>	<u>Part Number</u>	<u>Page</u>
822-223C	41	890-070C	19
823-407C	11	890-106C	35
826-616C	35	890-115C	35
826-619C	35	890-200C	45
829-128C	35	890-204C	45
829-129C	37	890-698C	45
830-009C	37	890-702C	45
831-031C	37	890-951C	45
831-034C	35	890-952C	45
831-089C	29, 31	891-253C	17
831-090C	29, 31	891-254C	21
833-269C	49	891-256C	35
833-271C	49	891-384C	19
833-275C	49	92171-7007	33
833-336C	23, 27	92171-7023	33
833-341C	17, 27	92192-7087	33
833-342C	23	92192-7189	33
833-350C	23, 27	990-225R	37
833-351C	23, 27	dwg25858	33
833-352C	23, 27	dwg27824	25
833-444C	49	dwg33598	7
833-445C	15	dwg33599	9
833-457C	23	dwg33785	13
833-465C	25	dwg33786	15
833-503C	19, 27	dwg33787	17
833-506C	25	dwg33788	19
833-558C	27	dwg33789	21
833-565C	23	dwg33790	23
838-303C	47	dwg33791	31
838-306C	47	dwg33792	29
838-307C	47	dwg33793	35
838-308C	47	dwg33794	37
838-310C	47	dwg33795	39
838-328C	47	dwg33796	41
838-444C	47	dwg33797	43
838-764C	47	dwg33798	45
838-785C	47	dwg33799	47
838-811C	47	dwg33800	27
838-812C	47	dwg33801	51
838-814C	47	dwg33914	11
838-815C	47	dwg35491	49
838-829C	47	N/A	23, 37
838-965C	47	TR-412	41
839-002C	15		
839-049C	35		
839-145C	15		
839-148C	15		
839-149C	15		
839-287C	27		
839-288C	27		
839-320C	13		
839-385C	13		
839-411C	13		
839-416C	13		
839-417C	15		
839-418C	15		
839-970C	13		
839-971C	13		
839-973C	33		
839-974C	33		
840-262C	7		
840-272C	11		
840-333C	21		
840-334C	7		
842-016C	11		
848-028C	47		
848-268C	47		
848-469C	47		
848-470C	47		
848-799C	47		
848-800C	47		



Great Plains Manufacturing, Inc.

Corporate Office: P.O. Box 5060
Salina, Kansas 67402-5060 USA

www.landpride.com
